

Aquascape[®]

AQUAJET™ POND PUMP

**SUBMERSIBLE FOUNTAIN,
WATERFALL & FILTER PUMP**

For Models:

- 600 (Item #91014)
- 1300 (Item #91015)
- 2000 (Item #91016)





AQUAJET™ POND PUMP

Thank you for choosing the AquaJet™ Pond Pump. At AquaScape our goal is to provide our customers with the best valued products in water gardening. We hope you enjoy your purchase and thank you for choosing AquaScape. *Your Paradise. Our Passion.®*



3 YEAR WARRANTY

The AquaJet™ Pond Pump is guaranteed for three years from date of purchase. Proof of purchase required. Warranty does not cover damage resulting from negligent handling, misuse or lack of reasonable maintenance or care. Warranty is valid against defects due to material and the company's workmanship only. The sole obligation shall be to replace the defective unit with a suitable replacement unit. Units should be checked for proper operation prior to returning as defective. No liability for loss or damage of any nature or kind, whether arising out of or from the use of the product, whether defective or not defective, is assumed by AquaScape, Inc. or its affiliates.

CONTACT US

For more information about our company or products please visit our website at www.aquascapeinc.com or call (US) 1-866-877-6637 (CAN) 1-866-766-3426.

TABLE OF CONTENTS

Introduction	3
Safety Information	4
Installation	4
Operation and Maintenance	6
Troubleshooting	8



VISIT OUR WEBSITE



DOWNLOAD A FREE COPY OF OUR CATALOG

INTRODUCTION

Create a stunning fountain with this all-in-one kit. Includes choice of three fountain heads. Also includes integrated diverter valve that can be used to supply water to a small waterfall, external filter or spitting ornament.

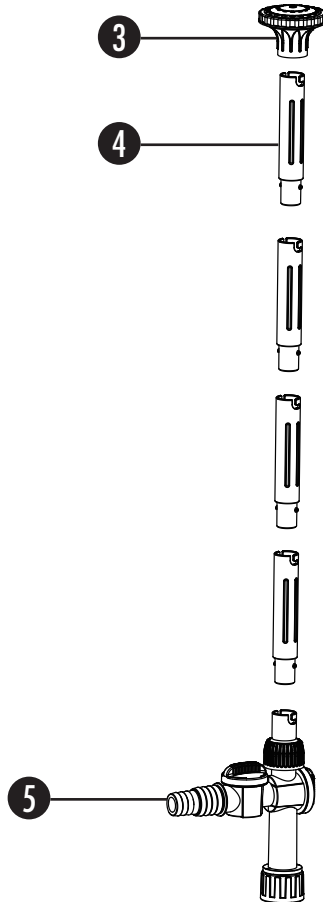
This combination of energy-efficient performance, and ease of maintenance, make this pump and fountain kit the ideal choice for discriminating pond owners.

CONTENTS & PUMP PARTS:

- (1) AquaJet™ Pump
- (1) Diverter Valve Assembly
- (4) Fountain Riser Stems
¾" O.D. X 3.5" long
- (1) Foaming Jet Fountain Head
- (1) Waterbell Fountain Head
- (1) Daisy Fountain Head
- (1) Multi-Hose Adapter Hosetail

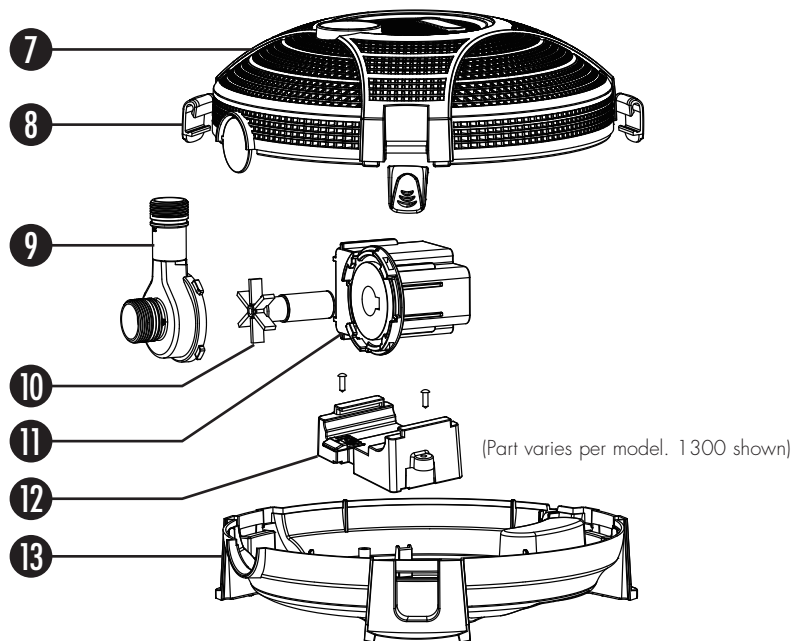
PARTS LIST:

- ① Foaming Jet Head
- ② Waterbell Head
- ③ Daisy Head
- ④ Riser Stem
- ⑤ Diverter Valve
- ⑥ Multi-Hose Adapter (size varies by Pump Model)
- ⑦ Top Cover
- ⑧ Clip (Qty 3)
- ⑨ Water Chamber Cover
- ⑩ Impeller Kit
- ⑪ Water Pump
- ⑫ Mounting Bracket(s) & Screws (Configuration varies by model)
- ⑬ Bottom Cover



SPARE PARTS:

Model Number	600	1300	2000
Fountain Kit	#91084	#91085	#91086
Pump Housing Covers	#91087	#91087	#91087
Water Chamber Covers	#91088	#91089	#91090
Impeller Kit	#91047	#91048	#91049
Pump Mount Kit	#91091	#91091	#91091



SAFETY INFORMATION



WARNING: Risk of electric shock – This pump has not been approved for use in swimming pool or marine areas.



WARNING: To provide continued protection against risk of electric shock, connect to properly grounded, ground fault circuit interrupter (GFCI) outlets only, using the following guidelines:

- (A) Have a qualified electrician install a properly grounded receptacle outlet, acceptable for outdoor use and protected from snow and rain.
- (B) Inspect cord before using.
- (C) Do not use extension cords.
- (D) Any wiring of pumps should be performed by a qualified electrician to ensure code compliance and user safety.
- (E) Unplug pump at receptacle outlet when not in use or before removal from pond.

- (F) To reduce risk of electrical shock, all wiring and junction connections should be made per local codes. Requirements may vary depending on usage and location.
- (G) The power cable should be protected at all times to avoid punctures, cuts, bruises and abrasions.
- (H) Never handle power cords with wet hands.
- (I) Do not remove cord and strain relief. Do not connect conduit to pump.
- (J) Do not use power cable to lift pump.



INSTALLATION

- Always operate the pump fully submerged. Failure to do so will overheat the pump and cause it to fail, thus voiding the warranty. **DO NOT OPERATE DRY!**
- Use only in fully assembled state, and be sure that both the upper and lower cage screens are snapped together. Failure to operate the pump without the filter cage closed will allow large debris to enter the pump, causing the pump to fail and voiding the warranty.
- Do not wear loose clothing that may become entangled in the impeller or other moving parts.
- Keep clear of suction and discharge openings. **DO NOT** insert fingers in pump with power connected.
- Do not pump hazardous materials or liquids, such as oil, saltwater or organic solvents.
- Products returned must be cleaned, sanitized, or decontaminated, as necessary prior to shipment so as

to ensure that employees will not be exposed to health hazards in handling said material. All applicable laws and regulations shall apply.



IMPORTANT: Aquascape, Inc. is not responsible for losses, injury, or death resulting from a failure to observe these safety precautions, misuse or abuse of pumps or equipment.

AQUAJET™ SPECIFICATIONS

- Input Voltage: 120V AC
- Input Frequency: 60 Hz
- Submersible pump
- For outdoor or indoor use
- Thermally protected
- This pump has been evaluated for use with water only
- Input Amps & Wattage: *See chart on next page*

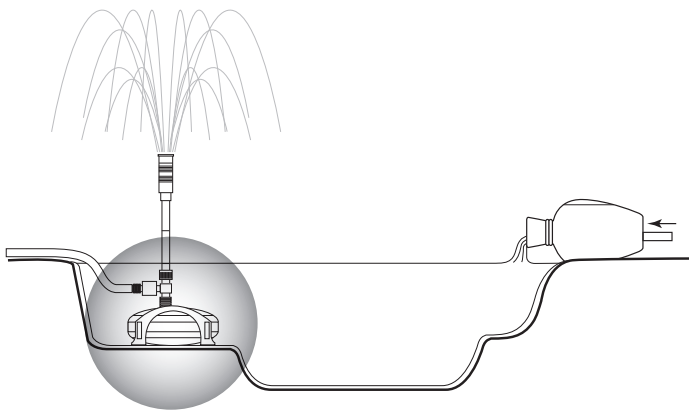


POND SQUAD
INSTALLATION
INSTRUCTIONS

AQUAJET™ PUMP SPECS

Model Number	1000	2700	5200
Item Number	#91014	#91015	#91016
Average Pond Size Recommendation	1200 US gallons	1300 US gallons	2000 US gallons
Maximum Fountain Height (Daisy Fountain)	up to 47"	up to 62"	up to 65"
Motor Type	Mag-Drive	Mag-Drive	Mag-Drive
Wattage	33	110	250
Amperage	.55	1.00	2.60
Power Cord Length	25 ft	25 ft	25 ft
Discharge Hose Diameter	with nozzle fountain heads	with nozzle fountain heads	with nozzle fountain heads
Discharge Hose Diameter on Diverter	½", ¾"	½", ¾"	½", ¾", 1"
Warranty	3 Year Limited	3 Year Limited	3 Year Limited

TYPICAL INSTALLATION IN A WATER FEATURE



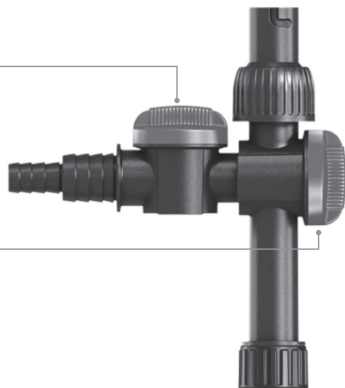
- Unpack the Diverter Valve and thread the collar clockwise directly onto the pump discharge male thread. Do not overtighten or use any tools.



- The Diverter Valve has two flow-control valves:

1) The accessory diverter valve controls water flow to any additional filters, fountains or waterfalls

2) Side valve controls water flow to attached fountain head

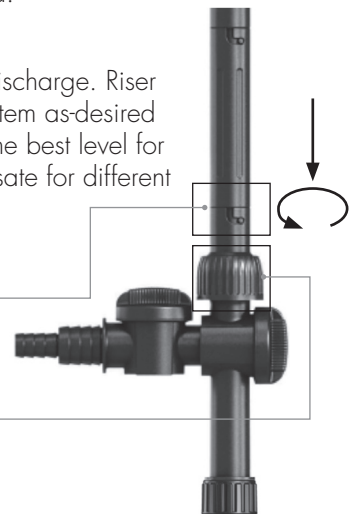


- The side valve controls the fountain height, but the accessory valve will also have an effect on the fountain's height. As more accessory flow is desired the amount of water flowing to the fountain will diminish. Closing the accessory valve will maximize flow to the fountain head.

- Thread the Riser Stem Base onto discharge. Riser Stems can be added to the base stem as desired to increase the fountain height to the best level for your water feature and to compensate for different pond depths.

Insert additional Riser Stems and lock into position

Thread Riser Stem Base onto discharge



- Install any one of the three fountain heads onto the top riser by simply pressing it over the end of the riser. It is held in place by friction.



- The AquaJet™ Pump is designed to be submerged directly into the pond. If using the Diverter Valve to send water to any additional filters, fountains or waterfalls, maximize pond circulation by locating the AquaJet™ pump as far away as possible from the location of the water entering back into the water feature.



- If the pump is not on a level base, loosen the riser stem collar and adjust the orientation of the riser stem to keep the fountain head vertical.



- If not using the Fountain Kit, the Diverter Valve or the Multi-Hose Adapter can be used to supply water to an accessory such as a splitter, external filter or waterfall.



- **If using the Diverter or Multi-Hose Adapter to supply water to an additional filter, fountain or waterfall, it is recommended to NOT position the pump in the deepest portion of the pond.** This will protect the fish by preventing the pond from completely draining in case of leak in the plumbing or filter, fountain or waterfall. Bricks or stones can be used if needed to raise the pump off the bottom.



- Connect pump to an outlet that is protected by a ground fault interrupter. Once the pump is running and water circulating through the filter(s) or waterfall, check for any fitting or waterfall leaks where the external connections are made.

OPERATION AND MAINTENANCE

- **The height of the fountain is determined by several factors:**

- Pump size, as estimated in the earlier table
- How deep the pump is positioned in the water; lowering the pump increases the flow since the discharge is also lowered
- The two valve adjustments on the Diverter Valve (see information above)

- To maintain the correct flow and fountain head patterns, both the fountain heads and the pump screens will require occasional cleaning.
- **Pump Cage** - Do not remove the upper or lower pump cage while operating the pump. Failure to operate the pump without the filter cage or operating the pump with a broken cage will allow large debris to enter the pump causing the pump to fail voiding the warranty.
- **Pump Cage Cleaning** - We recommend inspecting your AquaJet™ on a regular basis to make sure it is functioning properly. If you notice the water flow rate diminish it may be due to the pump's filter cage becoming clogged with debris. Always disconnect the power before performing maintenance on the pump. In many cases the clogged filter cage can be cleaned by simply reaching in the pond or pulling the pump out of the water and removing debris from the filter cage. The pump can also be removed from the pond and the debris stuck to the pump filter cage can be removed or sprayed off with a garden hose.



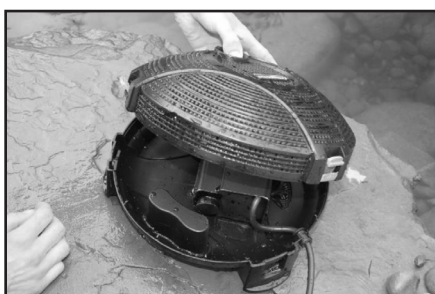
- If the pump is not on a level base, loosen the riser stem collar and adjust the orientation of the riser stem to keep the fountain head vertical.

- **Internal Pump Cleaning** - If you have thoroughly cleaned the filter cage screens and still have diminished flow rates, then you will need to remove the pump from the circular base to inspect and clean the impeller rotor assembly.

- Pull the cage release tabs outward to unlock the upper pump cage.



- With the cage tabs released the filter cage can be lifted to expose the pump.



- The procedure to remove the pump from its mount varies depending on the pump model. The 600 and 1300 are easily removed by depressing the tab on the mounting bracket and sliding the pump forward towards the water chamber cover.



- For the Model 2000, remove the two screws securing the pump holding brackets to allow the pump to be lifted from the circular base. Please make a note of the pump bracket orientation prior to removing the screws so the brackets can be replaced onto the pump in the same orientation. The power cord can be left in the strain relief, if desired, in order to simplify reassembly.



- While holding the pump securely, rotate the water chamber cover counter-clockwise so it can be removed from the pump.



- With the impeller assembly now exposed, it can be removed from the pump by pulling outward on the impeller blades. **IMPORTANT:** Take care not to lose the outer impeller shaft centering bushing. This bushing seats inside the water chamber cover and sometimes it remains in the cover when the cover is removed. If, however, this bushing stays on the impeller shaft, simply slide it off the shaft and set it aside or replace it in the water chamber cover so the impeller assembly can be removed from the shaft.

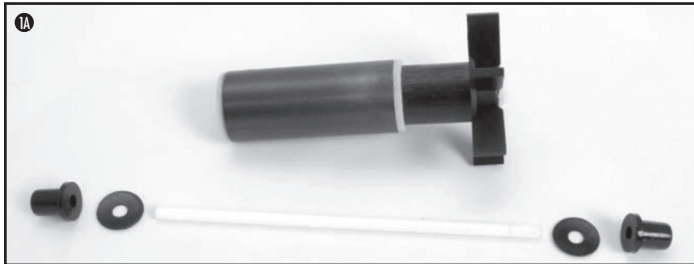


- If your rotor assembly impeller and internal pump body have excessive scale build-up, clean with a mild acid, such as white vinegar or any calcium/lime remover and a kitchen sponge or soft bristled brush that won't scratch the stainless steel. This will remove the scale build up and allow the pump impeller to spin like new again.

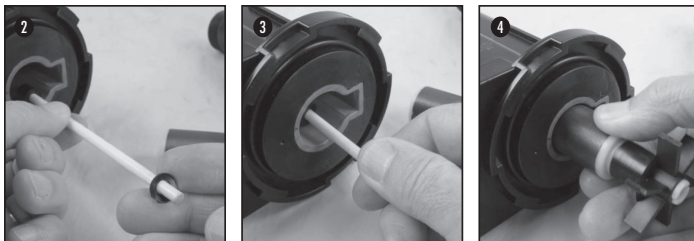


REPLACING THE IMPELLER/ROTOR ASSEMBLY & WATER CHAMBER COVER

The impeller assembly is the only moving part on the AquaJet™ Pump and will experience wear and tear. If you've cleaned the pump, as described above, and still experience poor pump performance, it is most likely time to replace the impeller. Replacing the impeller is extremely easy. Replacement Impeller Kits are available through your Aquascape® dealer.



- 1a. Note the orientation of parts in this photo. The replacement kits include all parts shown. Make sure to remove all of the original parts from the inside of the pump before installing the replacement impeller kit.
- 1b. A centering bushing is required on both ends of the impeller shaft, one bushing is located inside the pump and an outer bushing sits in the Water Chamber Cover.
2. Slide the first interior bearing washer onto the ceramic shaft.
3. Place the ceramic impeller shaft into the pump, checking to be sure the centering bushing seats inside the pump.
4. Carefully, slide the impeller back onto the shaft. Use caution, the Impeller Assembly is magnetic and will be forcefully pulled back into the pump.



5. Install second outer bearing washer over the impeller shaft.
6. The Water Chamber Cover is replaced by lowering the cover over the impeller shaft so the impeller shaft seats in the impeller bushing. The cover tabs should fit inside the matching slots on the pump face.
7. When the Pump Water Chamber Cover is rotated clockwise less than a 1/4 turn, the pump discharge fitting on the Pump Cover is in the vertical position.



- **Winter Storage** – The pump can be run during freezing weather if desired, but should be removed if shutting down the pump for the winter. Disconnect the tubing if using the side discharge fitting and remove the pump and fountain head from the pond. Clean the pump and cage screens with fresh water and store the pump in a frost-free location.

TROUBLESHOOTING

• **Reduced Water Flow**

- The fountain head itself may be clogged. Shut off the pump, and remove the head for a more thorough cleaning with a garden hose and brush.
- The fountain heads can be thoroughly cleaned, if needed, by taking them apart as shown here >
- Pump or plumbing may be clogged. It may be necessary to clean the pump cage screens and impeller assembly.
- Adjust the diverter valve(s) to set the desired flow to the fountain and/or accessory.



• **Pump Hums and Doesn't Push Water**

- Pump or plumbing may be clogged. It may be necessary to clean the pump cage screens and impeller
- Remove the water chamber cover and inspect and clean the impeller rotor assembly and internal pump body
- Make sure nothing is blocking or wrapped around the impeller.
- Make sure the pump is receiving the correct voltage

• **Pump Not Working**

- The ground-fault circuit-interrupter (GFCI) may have tripped
- The pump is not receiving the correct voltage.

For more information about our company or products,
please visit our website at www.aquascapeinc.com
or call us at (US) 1-866-877-6637 (CAN) 1-866-766-3426

©2012 Aquascape, Inc. • All Worldwide Rights Reserved

91083.012012

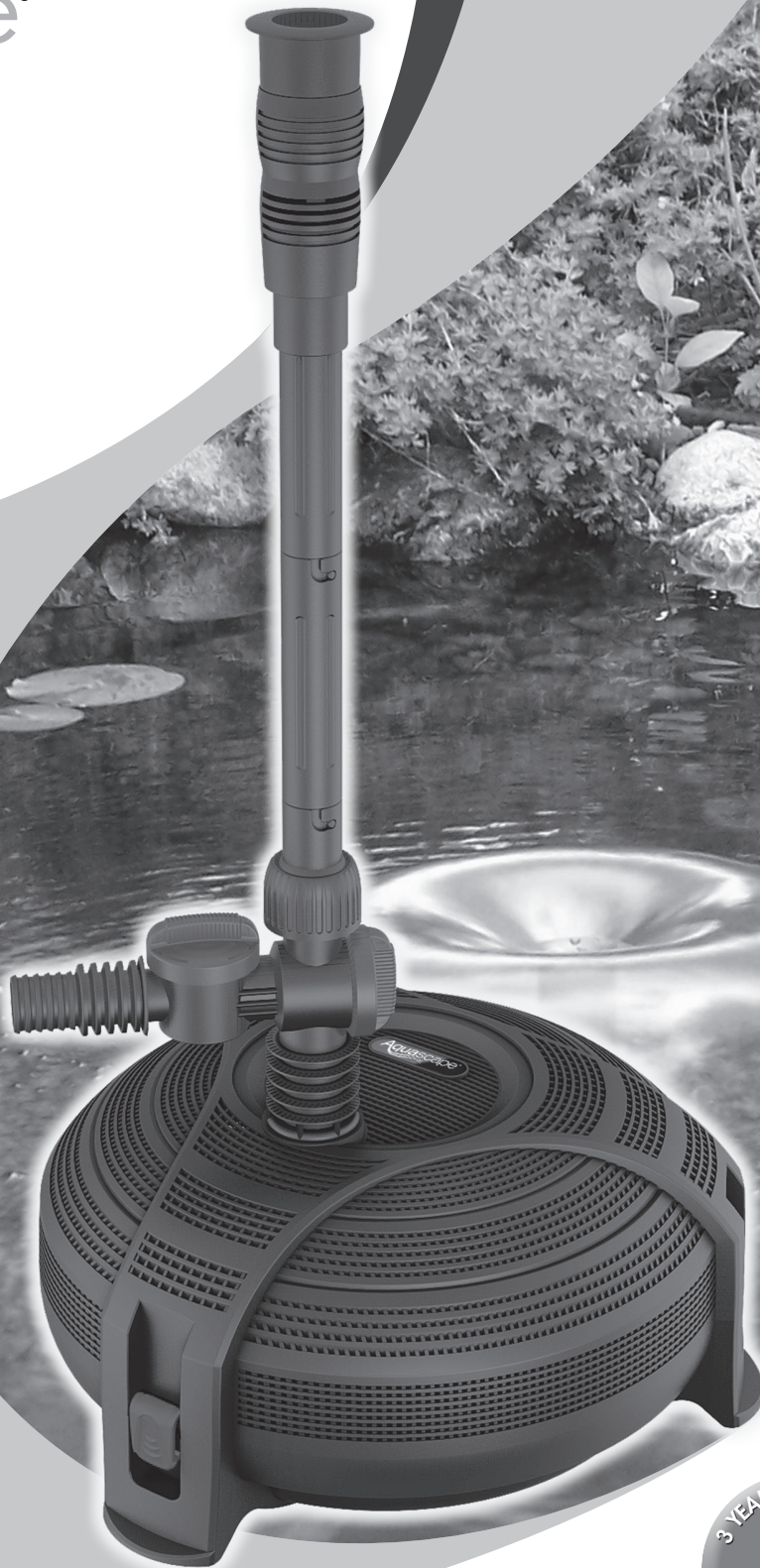
Aquascape®

POMPE AQUAJET^{MC}

**FONTAINE SUBMERSIBLE,
CASCADE ET POMPE
À FILTRATION**

Pour les modèles suivants :

- 600 (article n° 91014)
- 1300 (article n° 91015)
- 2000 (article n° 91016)





AQUAJET^{MC} POND PUMP

Merci d'avoir choisi la pompe à plan d'eau AquaJet^{MC}. Chez Aquascape, notre but est de fournir à nos clients des produits de la plus haute qualité pour le jardinage aquatique. Nous espérons que vous aimerez votre achat et nous vous remercions d'avoir choisi Aquascape. *Votre paradis. Notre passion.^{MD}*



GARANTIE DE TROIS ANS

La pompe AquaJet^{MC} pour plan d'eau a une garantie de trois ans à partir de la date d'achat. Une preuve d'achat est exigée. La garantie ne couvre pas les dégâts résultant de la négligence de manutention, d'une mauvaise utilisation, ou de l'entretien ou de soins défectueux. La garantie est valable contre les défauts dans les matériaux et les défauts de fabrication seulement. Le remplacement de l'unité défectueuse par une unité de rechange appropriée sera la seule obligation. Les unités devront être vérifiées afin de s'assurer de leur bon fonctionnement avant de les retourner en tant qu'unité défectueuse. Aquascape inc. ou ses filiales n'assumeront aucune responsabilité en cas de perte ou de dégâts de n'importe quelle nature, provenant ou résultant de l'utilisation du produit, défectueux ou non.

NOUS JOINDRE

Pour plus de renseignements au sujet de notre société ou de nos produits, veuillez visiter notre site Web au www.aquascapeinc.com ou téléphonez sans frais au 1 866 766 3426, au Canada, ou au 1 866 877 6637, aux États-Unis.

TABLE DES MATIÈRES

Introduction	3
Renseignements de sécurité	4
Mode d'emploi	4
Fonctionnement et entretien	6
Diagnostic des pannes	8



VISITEZ NOTRE
SITE WEB



EFFECTUEZ UNE
RECHERCHE
DANS NOTRE
CATALOGUE

INTRODUCTION

Créez une fontaine stupéfiante avec cet ensemble tout-en-un. Celui-ci offre un choix de trois têtes de fontaines différentes. Il inclut aussi une valve directionnelle intégrée pouvant être utilisée pour alimenter en eau une petite cascade, un filtre externe

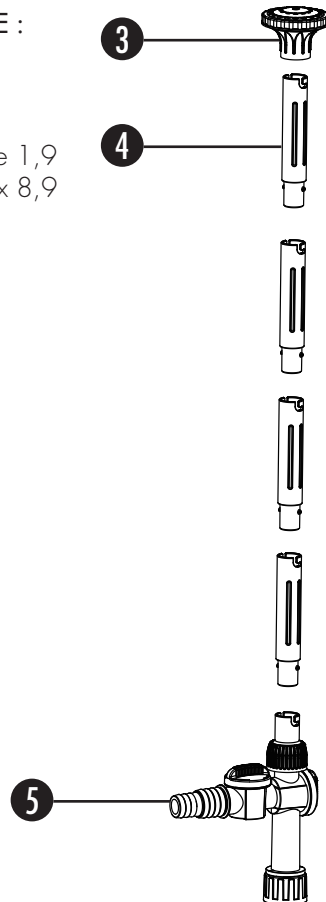
ou un ornement dispensateur d'eau. De par sa combinaison de rendement écoénergétique et sa facilité d'entretien, cette pompe, associée à l'ensemble de fontaines, constitue le choix idéal pour les propriétaires de plans d'eau exigeants.

CONTENU ET PIÈCES DE LA POMPE :

- (1) Pompe AquaJet^{SMC}
- (1) vanne de dérivation
- (4) supports éleveurs de fontaine de 1,9 cm (3/4 po) de diamètre extérieur x 8,9 cm (3,5 po) de longueur
- (1) Fontaine à jet moussant
- (1) Fontaine cloche d'eau
- (1) Fontaine marguerite
- (1) Adaptateur de tuyau multiple

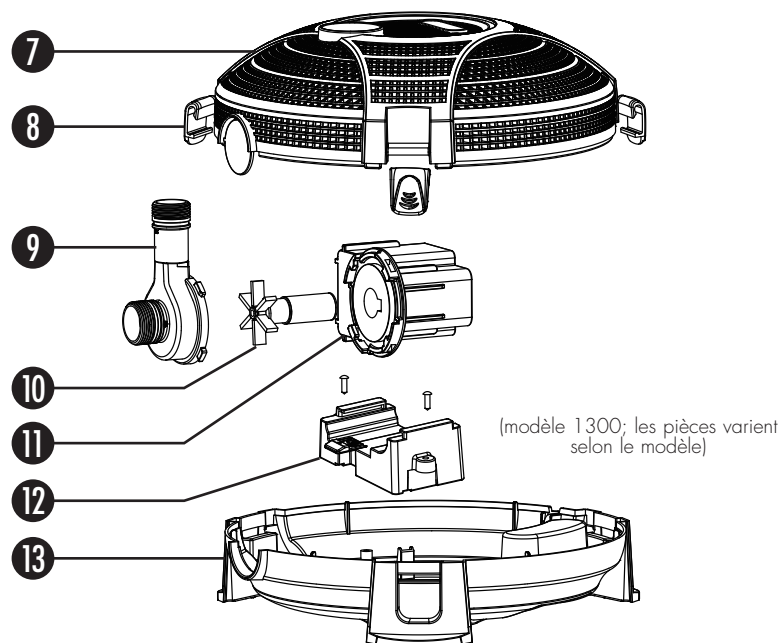
LISTE DES PIÈCES :

- ① Fontaine à jet moussant
- ② Fontaine cloche d'eau
- ③ Fontaine marguerite
- ④ Support éleveur
- ⑤ Vanne de dérivation
- ⑥ Adaptateur de tuyau multiple (le format varie selon le modèle de pompe)
- ⑦ Couvercle supérieur
- ⑧ Clips (3)
- ⑨ Couvercle du réservoir
- ⑩ Trousse de turbine
- ⑪ Pompe à eau
- ⑫ Support(s) de fixation et vis (la configuration varie selon le modèle)
- ⑬ Couvercle inférieur



PIÈCES DE RECHANGE :

Numéro de modèle	600	1300	2000
Trousse de fontaine	n° 91084	n° 91085	n° 91086
Couvercles du boîtier de la pompe	n° 91087	n° 91087	n° 91087
Couvercles du réservoir d'eau	n° 91088	n° 91089	n° 91090
Trousse de turbine	n° 91047	n° 91048	n° 91049
Trousse de montage de pompe	n° 91091	n° 91091	n° 91091



RENSEIGNEMENTS DE SÉCURITÉ



MISE EN GARDE : *risque de choc électrique – Cette pompe n'a pas été approuvée pour une utilisation en piscine ou en zones marines.*

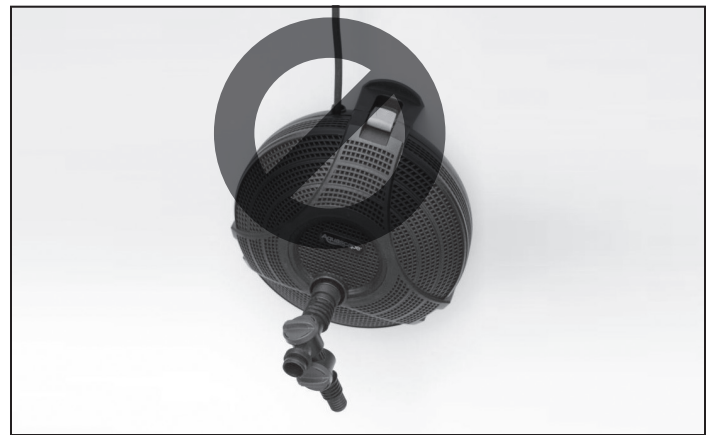


MISE EN GARDE : *Afin d'assurer une protection continue contre le risque de décharge électrique, ne branchez le cordon qu'à une prise d'alimentation avec mise à la terre, en observant les directives suivantes :*

- (A) Faites installer une prise de courant correctement mise à la terre convenant à une utilisation extérieure et protégée de la neige et de la pluie
- (B) Inspectez le cordon d'alimentation avant l'utilisation
- (C) N'utilisez pas de rallonge électrique
- (D) Tout câblage relié à la pompe devrait être exécuté par un électricien qualifié pour être en conformité avec les normes et s'assurer de la sécurité de l'utilisateur
- (E) Débranchez la pompe de la prise de courant lorsque vous ne vous en servez pas ou avant de la sortir du plan d'eau
- (F) Pour réduire le risque de décharge électrique, tout le câblage et les raccordements de jonction devraient

être exécutés selon les normes locales. Les exigences peuvent varier en fonction de l'utilisation et de l'emplacement

- (G) Le câble électrique devrait être protégé en tout temps pour éviter les perforations, les coupures, les ecchymoses et les abrasions
- (H) Ne manipulez jamais les cordons d'alimentation avec les mains humides
- (I) N'enlevez pas le cordon et le dispositif de réduction de la tension. Ne joignez pas le conduit à la pompe
- (J) Ne soulevez pas la pompe par le cordon d'alimentation.



MODE D'EMPLOI

- Faites fonctionner la pompe uniquement lorsqu'elle est entièrement submergée; ou si vous l'utilisez sans l'immerger, assurez-vous de maintenir une source constante d'eau douce. Ne pas faire ceci entraînera un surchauffement de la pompe et causera une défaillance de fonctionnement annulant ainsi la garantie.
- N'utilisez que lorsque la pompe est entièrement assemblée, prêtant une attention particulière aux grilles de filtration tant extérieures qu'intérieures pour s'assurer qu'elles soient fixées à la pompe. Faire fonctionner la pompe sans la grille de filtration permettra à des débris de grande taille d'entrer dans la pompe entraînant ainsi sa défaillance et annulant de ce fait la garantie.
- Ne portez pas de vêtements amples qui peuvent s'empêtrer dans la turbine ou dans d'autres pièces en mouvement.
- Restez à l'écart des sorties et des entrées d'eau. N'INSÉREZ PAS de doigts dans la pompe lorsqu'elle est branchée.

- Ne pompez pas de matières dangereuses ou des liquides, tels que l'huile, l'eau salée ou les solvants biologiques.
- Ne bloquez ni ne restreignez la sortie de la pompe.
- Les produits retournés doivent être nettoyés, désinfectés ou décontaminés au besoin, avant l'expédition pour s'assurer que les employés ne soient pas exposés à des risques pour la santé lors de la manutention dudit matériel. Toutes lois et tous règlements en vigueur seront applicables.



IMPORTANT: *Aquascape inc. n'est nullement responsable des pertes, blessures ou décès résultant du non-respect de ces consignes, d'une mauvaise utilisation ou d'une utilisation abusive de la pompe ou de l'équipement.*

CARACTÉRISTIQUES TECHNIQUES D'AQUAJET^{MC}

- Tension d'entrée : 120 V c.a.
- Fréquence d'entrée : 60 Hz
- Pompe submersible
- Pour utilisation extérieure ou intérieure
- Protection thermique
- Pompe évaluée en utilisation avec de l'eau seulement
- Intensité de courant d'entrée et puissance en watts :
Voir le tableau à la page suivante

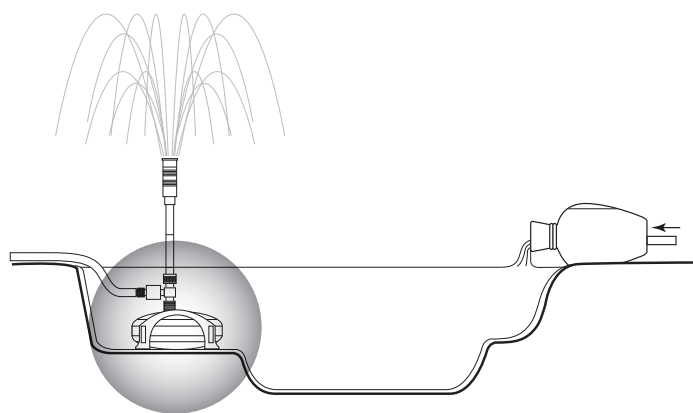


INSTRUCTIONS
D'INSTALLATION
DE NOTRE
ÉQUIPE DE
SPÉCIALISTES EN
PLAN D'EAU

CARACTÉRISTIQUES TECHNIQUES DES POMPES AQUAJET^{MC}

Numéro de modèle	1000	2700	5200
Numéro de l'article	N° 91014	N° 91015	N° 91016
Recommandation de la taille moyenne du plan d'eau	4 542 L	4 921 L	7 571 L
Hauteur maximale de la fontaine (fontaine marguerite)	Jusqu'à 1,19 m	Jusqu'à 1,57 m	Jusqu'à 1,65 m
Type de moteur	Entraînement magnétique	Entraînement magnétique	Entraînement magnétique
Puissance en watts	33	110	250
Intensité de courant	0,55	1,00	2,60
Longueur de cordon d'alimentation	7,62 m	7,62 m	7,62 m
Diamètre du boyau de sortie d'eau	avec têtes de fontaine à buse	avec têtes de fontaine à buse	avec têtes de fontaine à buse
Diamètre du boyau de sortie de la vanne de dérivation	1,27 cm, 1,90 cm	1,27 cm, 1,90 cm	1,27 cm, 1,90 cm, 2,54 cm
Garantie	Limitée de 3 ans	Limitée de 3 ans	Limitée de 3 ans

INSTALLATION STANDARD DANS UN PLAN D'EAU



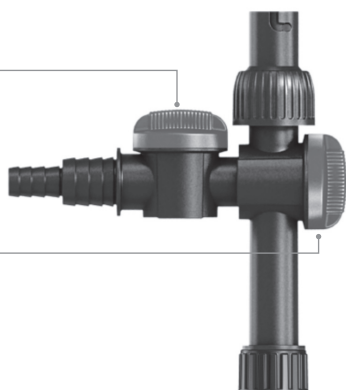
- Déballiez la vanne de dérivation et vissez le collier dans le sens des aiguilles d'une montre sur le filetage mâle de la sortie de la pompe. Ne vissez pas trop serré et n'utilisez aucun outil.



- La vanne de dérivation possède deux régulateurs de débit :

1) La vanne de dérivation accessoire régularise le débit d'eau vers les filtres, les fontaines ou les cascades.

2) La vanne latérale régularise le débit d'eau vers la tête de fontaine.

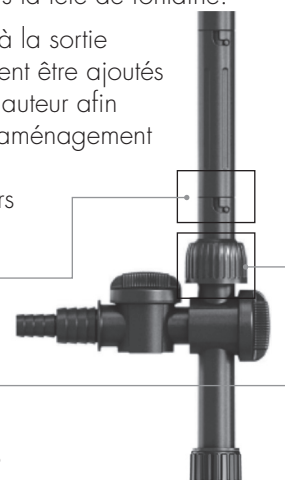


- La vanne latérale régularise la hauteur du jet de la fontaine, mais la vanne accessoire aura aussi un impact sur la hauteur. Plus le débit d'eau vers l'accessoire augmente, plus il diminue vers la fontaine. En fermant la vanne accessoire, vous augmenterez le débit d'eau vers la tête de fontaine.

- Vissez la base du support élévateur à la sortie d'eau. Des supports éleveurs peuvent être ajoutés au support de base pour ajuster la hauteur afin d'obtenir le niveau idéal pour votre aménagement aquatique et pour compenser les différentes profondeurs du plan d'eau.

Insérez les supports éleveurs additionnels et fixez bien.

Vissez la base du support élévateur à la sortie d'eau



- Installez l'une ou l'autre des trois têtes de fontaine sur le support élévateur supérieur en l'insérant simplement sur le bout inférieur du support. Il restera en place grâce à la friction.



- La pompe Aquajet^{MC} est conçue pour être submergée dans le plan d'eau. Si vous utilisez la vanne de dérivation pour diriger l'eau vers des filtres, des fontaines ou des cascades supplémentaires, vous pouvez optimiser la circulation d'eau dans le bassin en plaçant la pompe Aquajet aussi loin que possible de l'emplacement où l'eau entre à nouveau dans l'aménagement aquatique.



- Si la pompe n'est pas de niveau, desserrez le collier du support éleveur et ajustez l'orientation de celui-ci afin de maintenir la tête de fontaine à l'horizontale.



- Si vous n'utilisez pas la trousse de fontaine, la vanne de dérivation ou l'adaptateur de tuyau multiple peuvent être utilisés afin de fournir de l'eau à un accessoire tel qu'une fontaine cracheuse, un filtre externe ou une cascade.



- **Si vous utilisez le dérivateur ou l'adaptateur de tuyau multiple pour fournir l'eau à un filtre, une fontaine ou une cascade supplémentaire, il est préférable de NE PAS placer la pompe dans la partie la plus profonde du plan d'eau.** Ceci protégera les poissons en évitant au plan d'eau de se vider complètement en cas de fuite dans la tuyauterie ou le filtre, la fontaine ou la cascade. Des briques ou des pierres peuvent être utilisées si nécessaire pour élever la pompe du fond de l'eau.



- Branchez la pompe à une prise protégée par un disjoncteur de fuite de terre. Une fois que la pompe fonctionne et que l'eau circule dans le ou les filtres, ou la cascade, vérifiez les fuites possibles dans les raccords ou la cascade à l'endroit où les raccords externes sont faits.

FONCTIONNEMENT ET ENTRETIEN

- **La hauteur du jet de la fontaine est déterminée par plusieurs facteurs :**

- Le format de la pompe comme évalué dans la table précédente
- La profondeur à laquelle la pompe est placée dans l'eau; abaisser la pompe augmente le débit puisque la sortie d'eau est aussi plus basse
- Les deux vannes d'ajustement de la vanne de dérivation (voir les informations ci-dessus)

- Afin de maintenir le débit adéquat et les motifs créés par les têtes de fontaine, celles-ci ainsi que les grilles de la pompe devront être nettoyées occasionnellement.

- **Cage de la pompe** - N'enlevez pas la cage de pompe supérieure ou inférieure lorsque la pompe est en marche. Faire fonctionner la pompe sans la cage de filtration ou avec une cage brisée permettra aux débris de grande taille d'entrer dans la pompe causant ainsi sa défaillance et annulant de ce fait la garantie.

- **Nettoyage de la cage de la pompe** - Nous recommandons d'inspecter votre pompe AquaJet^{MC} régulièrement pour vous assurer qu'elle fonctionne de manière appropriée. Si vous remarquez que le débit d'eau diminue, la cage de filtration de la pompe peut être obstruée par des débris. Débranchez toujours le courant avant l'entretien de la pompe. Dans de nombreux cas, la cage de filtration obstruée peut être nettoyée en plongeant simplement la main dans le plan d'eau ou en retirant la pompe de l'eau et en enlevant les débris de la cage. La pompe peut aussi être enlevée du plan d'eau, et les débris tenaces peuvent être retirés ou enlevés avec le jet d'eau d'un tuyau d'arrosage.



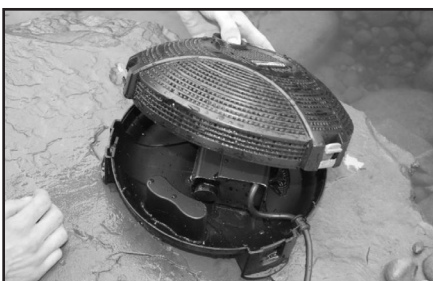
- Si la pompe n'est pas de niveau, desserrez le collier du support éleveur et ajustez l'orientation de celui-ci pour maintenir la tête de fontaine à la verticale.

- **Nettoyage interne de la pompe** - Si vous avez nettoyé à fond les grilles de la cage de filtration et que vous avez toujours un débit insuffisant, vous devrez alors enlever la pompe de la base circulaire pour examiner et nettoyer le rotor de turbine.

- Tirez sur les languettes d'ouverture vers l'extérieur afin de libérer la cage supérieure de la pompe.



- Une fois les languettes d'ouverture de la cage débloquées, la cage de filtration peut être soulevée pour exposer la pompe.



- La procédure pour enlever la pompe de son support varie selon le modèle de pompe. On peut facilement enlever la pompe des modèles 600 et 1300 en appuyant sur la languette d'ouverture du support de fixation et en glissant la pompe vers l'avant du réservoir d'eau.



- Pour le modèle 2000, enlevez les deux vis retenant le support de fixation de la pompe afin de soulever celle-ci de la base circulaire. Remarquez bien l'orientation du support de fixation de la pompe avant d'enlever les vis afin qu'il puisse être replacé sur la pompe selon la même orientation. Le cordon d'alimentation peut être laissé dans le serre-câble si désiré afin de simplifier le remontage.



- En tenant la pompe solidement, tournez le couvercle du réservoir dans le sens inverse des aiguilles d'une montre afin de pouvoir l'enlever de la pompe.



- L'assemblage du rotor à turbine, maintenant exposé, peut être enlevé de la pompe en tirant vers l'extérieur sur les lames de la turbine. **IMPORTANT:** Faites attention de ne pas perdre la douille de centrage de l'arbre d'entraînement extérieur. Cette douille est située à l'intérieur du couvercle du réservoir d'eau et peut parfois rester coincée dans le couvercle lorsque celui-ci est enlevé. Toutefois, si cette douille reste sur l'arbre d'entraînement de la turbine, faites-la simplement glisser sur l'arbre d'entraînement et mettez-la de côté ou remplacez-la dans le couvercle du réservoir afin que le rotor de turbine puisse être enlevé de l'arbre d'entraînement.

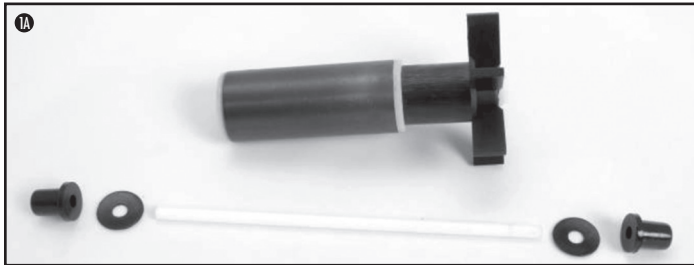


- Si le rotor de turbine et le corps interne de la pompe ont une accumulation excessive de calcaire, nettoyez avec un acide doux, comme du vinaigre blanc, ou un produit anticalcaire et anticalcium, et une éponge de cuisine ou une brosse à poils doux qui n'égratignera pas l'acier inoxydable. Ceci éliminera les résidus calcaires et permettra à la turbine de la pompe de tourner de nouveau.

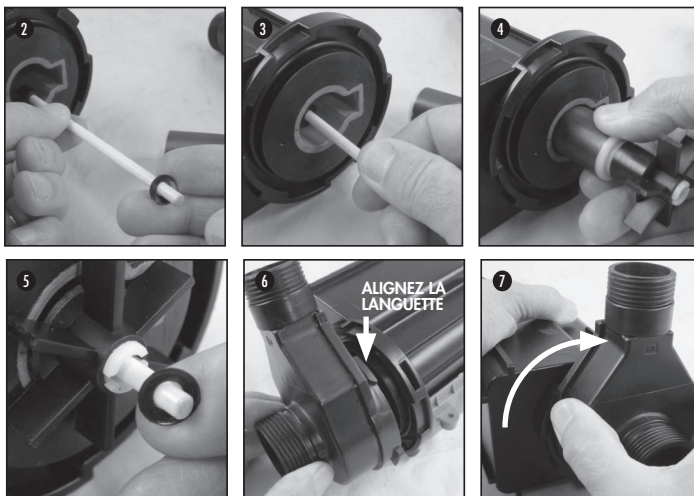


REPLACEMENT DU ROTOR DE TURBINE ET DU COUVERCLE DU RÉSERVOIR D'EAU

Le rotor à turbine est la seule partie en mouvement de la pompe AquaJet^{MC} et sera sujet à l'usure. Si vous avez nettoyé la pompe, comme décrit ci-dessus, et qu'elle démontre toujours une piètre performance, il est probablement temps de remplacer la turbine. Son remplacement est extrêmement facile. Les trousse de remplacement de turbine sont disponibles chez votre détaillant Aquascape^{MD}.



- 1a. Remarquez l'orientation des pièces dans cette photo. Les trousse de remplacement incluent toutes les pièces présentées. Assurez-vous d'enlever toutes les pièces originales de l'intérieur de la pompe avant l'installation de la trousse de remplacement de la turbine.
- 1b. Une douille de centrage est nécessaire aux deux extrémités de l'arbre d'entraînement, une douille est située à l'intérieur de la pompe et une douille extérieure est située dans le couvercle du réservoir d'eau.
2. Faites glisser la première rondelle de roulement sur l'arbre d'entraînement en céramique.
3. Placez l'arbre d'entraînement en céramique de la turbine dans la pompe en vous assurant que la douille de centrage est bien mise à l'intérieur de la pompe.
4. Faites glisser soigneusement la turbine sur l'arbre d'entraînement. Soyez prudent, car l'assemblage de la turbine est magnétique et sera puissamment attiré dans la pompe.
5. Installez la deuxième rondelle extérieure sur l'arbre d'entraînement de la turbine.
6. Vous pouvez replacer le couvercle du réservoir d'eau en abaissant le couvercle sur l'arbre d'entraînement de la turbine



de manière à ce que celui-ci soit bien inséré dans la douille de la turbine. Les languettes d'ouverture du couvercle devraient s'insérer dans les fentes correspondantes de la face avant de la pompe.

7. Lorsqu'on tourne le couvercle du réservoir d'eau de la pompe dans le sens des aiguilles d'une montre de moins d'un quart de tour, le raccord de sortie d'eau du couvercle de la pompe est en position verticale.

- **Entreposage hivernal** – Vous pouvez faire fonctionner la pompe par temps glacial si désiré, mais elle devrait être enlevée si vous l'arrêtez pour l'hiver. Débranchez la tuyauterie si vous utilisez la sortie d'eau latérale, et retirez la pompe et la tête de fontaine du plan d'eau. Nettoyez la pompe et la grille de cage avec de l'eau propre, et rangez la pompe dans un endroit à l'abri du gel.

DIAGNOSTIC DES PANNES

• Débit d'eau réduit

- La tête de fontaine peut être obstruée. Éteignez la pompe et enlevez la tête pour un nettoyage plus minutieux avec un tuyau d'arrosage et une brosse.
- Les têtes de fontaine peuvent être nettoyées à fond si nécessaire en les démontant comme indiqué ci-contre >.
- La pompe ou la plomberie peuvent être obstruées. Il peut s'avérer nécessaire de nettoyer les grilles de la cage de pompe et l'assemblage de la turbine.
- Ajustez la vanne de dérivation pour régler le débit désiré pour la fontaine ou l'accessoire.



• Bourdonnement de la pompe et absence de propulsion d'eau

- La pompe ou la plomberie peuvent être obstruées. Il peut s'avérer nécessaire de nettoyer les grilles de la cage de pompe et la turbine.
- Enlevez le couvercle du réservoir, puis examinez et nettoyez l'assemblage du rotor de turbine et le corps interne de la pompe.
- Assurez-vous que rien ne bloque ou n'entoure la turbine.
- Assurez-vous que la pompe reçoit la tension adéquate.

• Pompe en panne

- L'interrupteur du disjoncteur de fuite à la terre (GFCI) peut avoir été déclenché.
- La pompe ne reçoit pas la bonne tension.

Pour plus de renseignements au sujet de notre société ou de nos produits, veuillez visiter notre site Web au www.aquascapeinc.com ou téléphonez sans frais au 1 866 766 3426, au Canada, ou au 1 866 877 6637, aux États-Unis.