



# AquaForce<sup>®</sup> Adjustable Flow Pump

**Remote-Controlled  
Submersible,  
Solids-Handling  
Waterfall &  
Filter Pump**

**For Model:**

- 4000-8000  
(Item #91104)



Engineered for  
Continuous Use

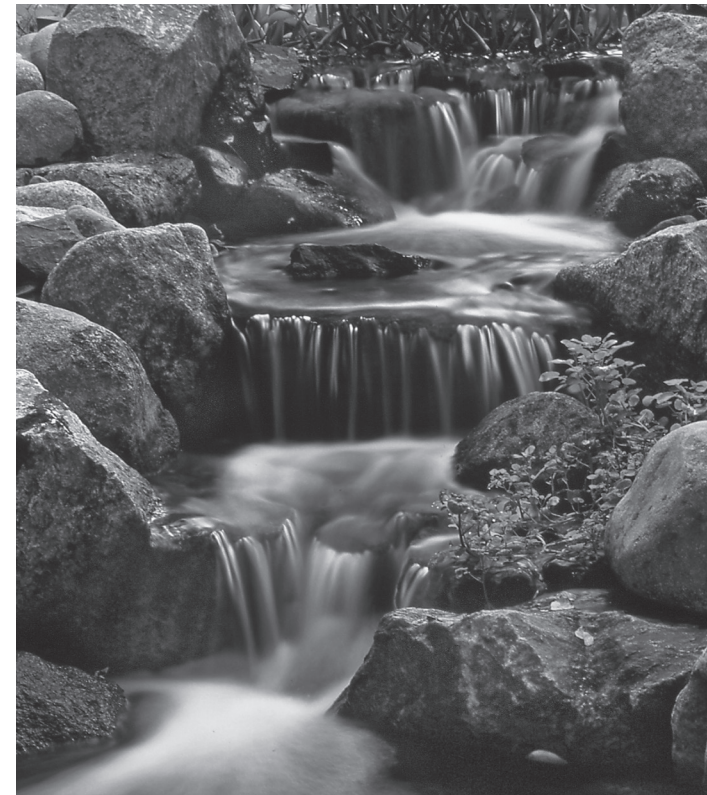
[www.aquascapeinc.com](http://www.aquascapeinc.com)

# AquaForce PRO<sup>®</sup> Adjustable Flow Pump

Thank you for choosing the **AquaForce<sup>®</sup> remote-controlled pump**. At Aquascape, our goal is to supply our customers with the best-valued products in water gardening. We hope you enjoy your purchase. Thank you for choosing Aquascape. *Your Paradise. Our Passion.<sup>®</sup>*

The AquaForce<sup>®</sup> remote-controlled asynchronous solids-handling waterfall and filter pumps accomplish what most other pumps only aspire to achieve. The combination of energy-efficient performance, flow and ease of maintenance makes this pump the ideal choice for discriminating pond owners. The AquaForce<sup>®</sup> protective pre-filter cage allows the pump to be placed directly into the pond. AquaForce<sup>®</sup> pumps are able to pump solids up to one quarter of an inch, making them ideal for use with external pressure filters or Aquascape waterfalls-type filter systems. The ability to adjust the flow makes it easy to select the right pump for any application.

The AquaForce<sup>®</sup> can also be used as a de-icer to help prevent winter fish loss by keeping a hole open in the ice during the cold winter months. The pump's powerful water flow, positioned just below the surface of the water, will ensure proper gas exchange throughout the winter.



VISIT OUR WEBSITE



DOWNLOAD A FREE COPY OF OUR CATALOG



POND SQUAD INSTALLATION INSTRUCTIONS

### Contact Us

For more information about our company or products please visit our website at [www.aquascapeinc.com](http://www.aquascapeinc.com) or call (US) 1-866-877-6637 (CAN) 1-866-766-3426.

### Find us on:

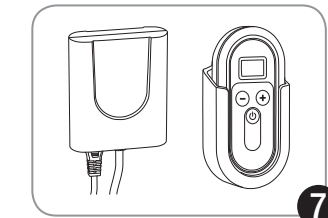
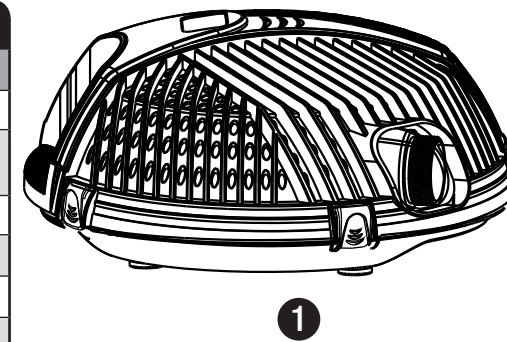


[www.facebook.com/AquascapeInc](http://www.facebook.com/AquascapeInc)  
[www.youtube.com/aquascape4](http://www.youtube.com/aquascape4)  
[www.twitter.com/AquascapeInc](http://www.twitter.com/AquascapeInc)  
[www.flipboard.com/profile/AquascapeInc](http://www.flipboard.com/profile/AquascapeInc)

### Table of Contents

Introduction .....	2
Safety Information .....	3
Installation .....	4
Operation and Maintenance .....	6
Troubleshooting .....	8

Contents	
No.	Description
1.	(1) AquaForce Pump
2.	(1) 1", 1.25", 1.5" Multi-Hose Adapter
3.	(1) 1.5" Rotational Ball Output
4.	(1) 1.5", 2" Multi-Hose Adapter
5.	(1) 1.5" Female Fitting
6.	(1) 38mm FTP x 1-1/2" MPT
7.	(1) Remote control and receiver



### Helpful Symbols



**WARNING** Symbol - Will alert you to the possibility of damage or injury if you do not comply with the warnings that accompany them. Hazards may be mechanical or electrical in nature.



**TIP** symbol - Helpful information provided by a professional pond installer.

### Safety Information



**WARNING:** Risk of electric shock – This pump has not been approved for use in swimming pool or marine areas.



**WARNING:** To provide continued protection against risk of electric shock, connect to properly grounded, ground fault circuit interrupter (GFCI) outlets only, using the following guidelines:

- (A) Have a qualified electrician install a properly grounded receptacle outlet, acceptable for outdoor use and protected from snow and rain.
- (B) Inspect cord before using.
- (C) Do not use extension cords.
- (D) Any wiring of pumps should be performed by a qualified electrician to ensure code compliance and user safety.
- (E) Unplug pump at receptacle outlet when not in use and before removal from pond.

- (F) To reduce risk of electrical shock, all wiring and junction connections should be made per local codes. Requirements may vary depending on usage and location.
- (G) The power cable should be protected at all times to avoid punctures, cuts, bruises and abrasions.
- (H) Never handle power cords with wet hands.
- (I) Do not remove cord and strain relief. Do not connect conduit to pump.
- (J) Do not use power cable to lift pump.





### AquaForce PRO® Pump Specs

Model Number	4000-8000
Average Pond Size Recommendation	For ponds up to 16,000 gallons
Maximum Flow Rate	7,794 GPH
Maximum Head Height	28 ft
Motor Type	Asynchronous
Wattage	500-660*
Amperage	5.5
Power Cord Length	20 ft
Pump Discharge Diameter	1.5" MPT
Multi-Hose Fitting Diameters	1", 1.25", 1.5", 2"
Warranty	3-Year Limited

\*Wattage range depending on remote-control flow setting

### Installation

- Always operate the pump fully submerged. Failure to do so will overheat the pump and cause it to fail, thus voiding the warranty. **DO NOT OPERATE DRY.**
- Use only in fully assembled state, and be sure that both the upper and lower cage screens are completely snapped together. Failure to operate the pump without the filter cage closed will allow large debris to enter the pump, causing the pump to fail and voiding the warranty.
- **DO NOT** wear loose clothing that may become entangled in the impeller or other moving parts.
- Keep clear of suction and discharge openings. **DO NOT** insert fingers into pump with power connected.
- **DO NOT** pump hazardous materials or liquids, such as oil, saltwater or organic solvents.
- **DO NOT** block or restrict discharge.

- Products returned must be cleaned, sanitized, or decontaminated as necessary prior to shipment. This will ensure that employees will not be exposed to health hazards in handling said material. All applicable laws and regulations shall apply.



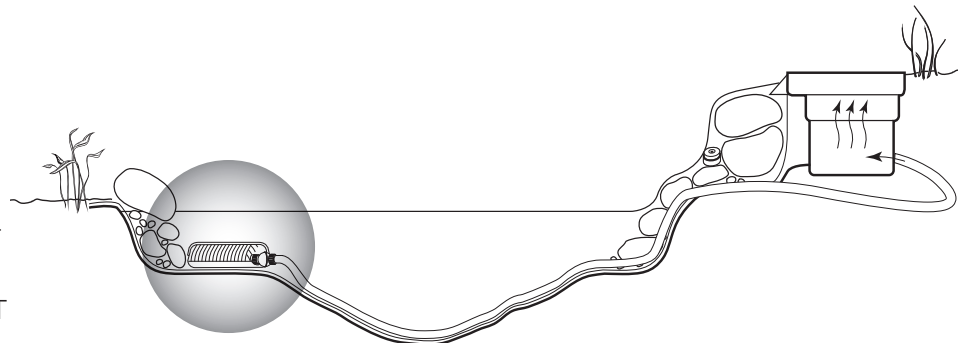
**IMPORTANT:** Aquascape, Inc. is not responsible for losses, injury, or death resulting from a failure to observe these safety precautions, or misuse/abuse of filters, pumps or other equipment.

### AquaForce® PRO Specifications

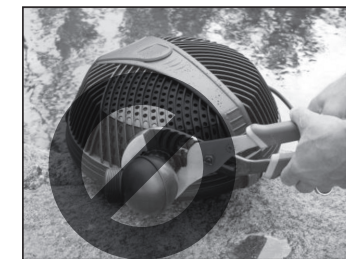
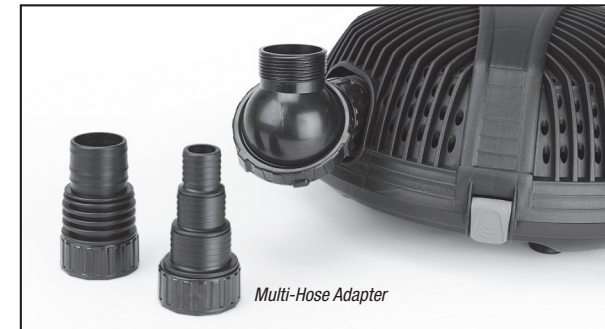
- Input Voltage: 120V AC
- Input Frequency: 60 Hz
- Submersible pump
- For outdoor or indoor use
- Thermally protected
- This pump has been evaluated for use with freshwater only
- Input Amps & Wattage: *See chart on next page*

### Typical Installation in an ecosystem water garden

- The AquaForce® Pump is designed to be submerged directly into the pond. To maximize pond circulation, locate the AquaForce® pump as far away as possible from the location of the water entering back into the water feature.
- It is recommended that the pump **NOT** be positioned in the deepest area of the pond. This will protect the fish by preventing the pond from completely draining in the case of a leak in the plumbing or filter. Bricks or stones can be used, if needed, to raise the pump up off the bottom of the pond.



- The AquaForce® includes a wide assortment of fittings to choose from. Select the appropriate fitting(s) needed for your application.
- The threaded collar, on all of the fittings, enables the AquaForce® pump to be installed and removed without the need for any tools. Do not use tools to attach the fittings onto the pump discharge. Fittings need to be hand-tightened only.



- The extremely versatile rotational ball outlet provides you with the ability to adjust the pump discharge to the perfect position required by your water feature. Loosening the threaded collar allows you to rotate the upper half of the ball. A flat rubber washer seal is included to ensure a hand-tight and leak-free connection. Make sure the flat rubber washer is in place before installing the fittings.



- Select the Multi-Hose fitting that best fits your new or current tubing/hose.



- If using pipe with a larger diameter than the smaller fittings of the Multi-Hose Adapters, cut off the smaller section or sections to avoid any flow restriction.

- In some instances the tubing/hose may be tight and difficult to use with hose fitting barbs. If this is the case, we recommend heating the hose with the use of a hair dryer or simply dipping the hose in very hot water for a few seconds. Lubrication can also be used; we recommend silicone grease or olive oil. We recommend putting the fitting on the filter before attaching the tubing/hose. Once the fitting is in place, attach the tubing/hose onto the fitting with a twisting motion, pushing it into place.

- Attach tubing to the fitting. If tubing is loose on fitting, use a hose clamp (not included) to secure tubing onto the fitting.



- Connect the other end of the pump tubing to the pond filter, such as a biological filter, waterfall spillway or pressurized filter.



- It is recommended to mount the receiver above the ground on a post, fence or wall.
- Plug the pump into the receiver making sure that blue plug gasket is in plug port.
- Plug the Receiver into an external GFI-rated electrical source. Once the pump is running and water is circulating, check for any leaks where the external connections are made.

### Using the AquaForce® as a Winter Bubbler

- The AquaForce® can also be used to prevent winter fish loss by keeping a hole open in the ice during the cold winter months. The AquaForce® helps ensure there is

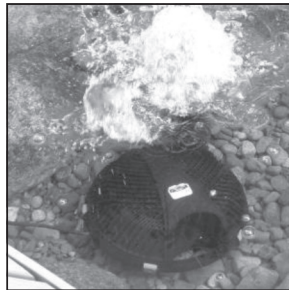


sufficient oxygen levels and proper gas exchange in the pond, helping to prevent fish loss. For best results use the AquaForce® in combination with a de-icer. The combination of the AquaForce® pump and a pond de-icer will further increase the pond's oxygen levels and remove potentially harmful gases from the water, as well as allow for a back-up in case one of the devices stops working.



Pond De-Icer (#39000)

- It is important to not place the AquaForce® on the bottom of the pond during the winter, which may disrupt the natural thermocline found in the deeper portions of the pond where the fish overwinter. Instead, place the pump at least one foot above the deepest point of the pond. The rotational ball should be turned upwards, allowing the water to bubble at the surface of the pond. Bricks or stones can be used, if needed, to raise the pump to the proper level.

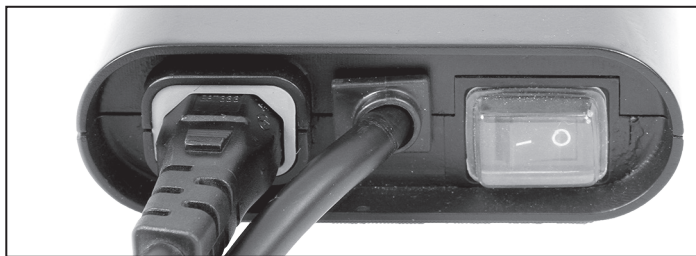


### Remote Control and Receiver Operation

- Receiver Switch** – The Receiver includes a switch that allows the pump to be operated in the two following modes:

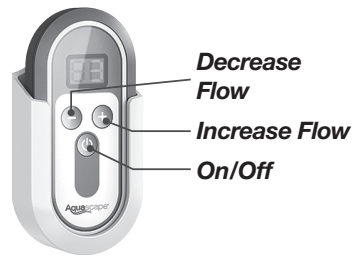
- Position 1 - Operated by Remote Control
- Position 2 - Bypass the Remote and operate at full flow-rate

In the event of a power loss when operating in the Remote Control setting, the pump will revert to its most recent flow-rate setting.



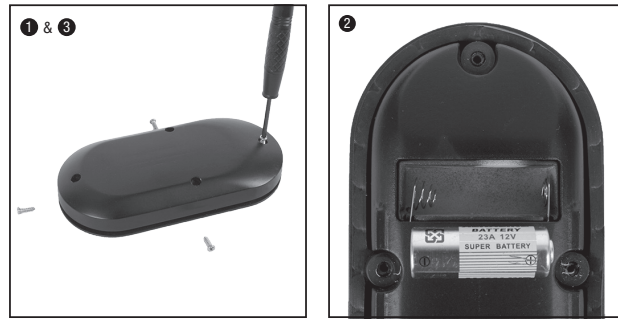
- Remote Control** – The Remote Control includes the ability to turn the pump on and off, as well as adjust the flow of the pump. Make sure the switch on the Receiver is in the Remote Control setting in order for the Remote to work properly. The Remote Control has an approximate range of 150 feet. The range of the Remote may be reduced if there are obstacles between the Remote and Receiver. Use the included mounting holster provided to provide a location to store the remote control. It is recommended to mount the holster in an area that is protected from the outdoor elements.

**PLEASE NOTE:** The Remote Control and Receiver are paired together with their own unique frequency. For this reason Remote Control replacement kits include both Remote Control and Receiver.



### Battery Installation

- Remove 4 screws and back cover plate.
- Place battery into the battery compartment. Requires 1- 23A 12V battery.
- Replace back cover and install screws.



### Pump Operation and Maintenance

- Pump Cage** – Do not remove the upper or lower pump cage while operating the pump. Failure to operate the pump without the filter cage or operating the pump with a broken cage will allow large debris to enter the pump, causing the pump to fail and voiding the warranty.



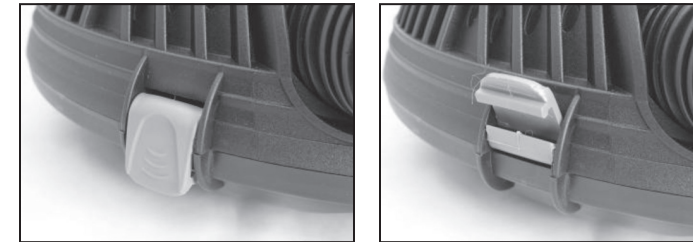
VIDEO ON AQUAFORCE PUMP MAINTENANCE & TROUBLESHOOTING TIPS

- Pump Cage Cleaning** – We recommend inspecting your pump on a regular basis to ensure it is functioning properly. If you notice the flow-rate diminish, it may be due to the pump's filter cage becoming clogged with debris. In many cases, the pump can simply be pulled from the pond for cleaning. Remove any debris stuck to the pump filter cage and/or use a garden hose to spray the cage clean. Always disconnect the power prior to performing maintenance on the pump.



- Remove any debris stuck to the pump filter cage and/or use a garden hose to spray the filter cage clean.

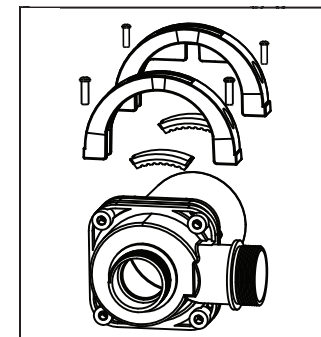
- Internal Pump Cleaning** – If you have thoroughly cleaned the filter cage screens and still have diminished flow rates, then you will need to remove the pump from the lower cage and inspect the impeller rotor assembly.
- Pull the cage release tabs outward to unlock the upper and lower pump cages.



- With the cage tabs released, the upper filter cage can be lifted to expose the pump.

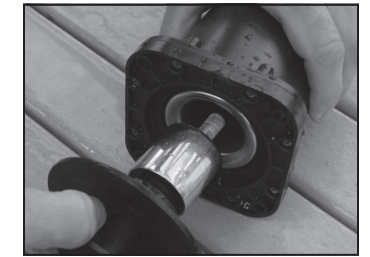


- Remove the screws securing the pump restraining bracket, allowing the pump to be lifted from the lower cage.

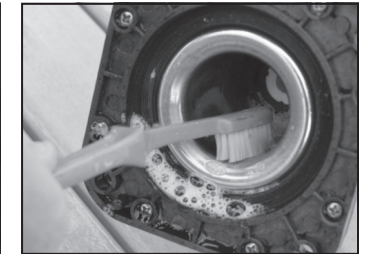


- For easier pump access, pull the power cord free from the strain relief.

- Remove the four screws that hold the water cover chamber and inspect the impeller rotor assembly.

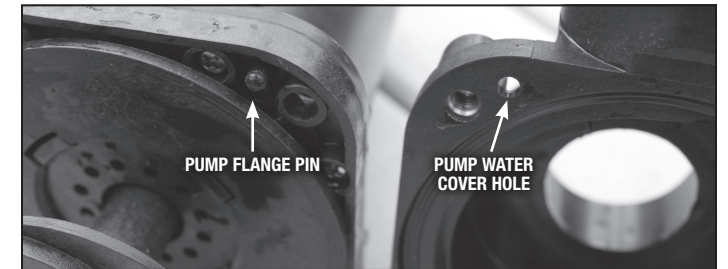
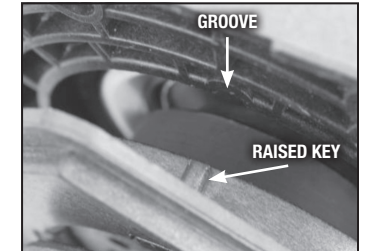


- If your rotor assembly impeller and internal pump body have excessive scale build-up, clean with a mild acid, such as white vinegar or non-abrasive calcium, lime and rust remover product. A sponge or soft-bristled brush that won't scratch the stainless steel can be used at this time. Removing scale build-up will allow your pump to run like new again.



### Replacing the Impeller/Rotor Assembly

When replacing the AquaForce® rotor-impeller assembly into the pump chamber, note the proper orientation. The raised key on the impeller face plate should be lined up with the groove in the pump housing.



- AquaForce® ready for reassembly** – The water chamber cover will only fit back onto the pump with the top of the tear-drop shapes lining up, along with matching the hole in the cover with the pin on the face of the pump motor flange.





### Replacing Pump in Cage

- Replace the pump into the lower cage and secure in place with the brackets. Also replace the power cord in the strain relief.
- Reinstall filter cage and close all 5 tabs.

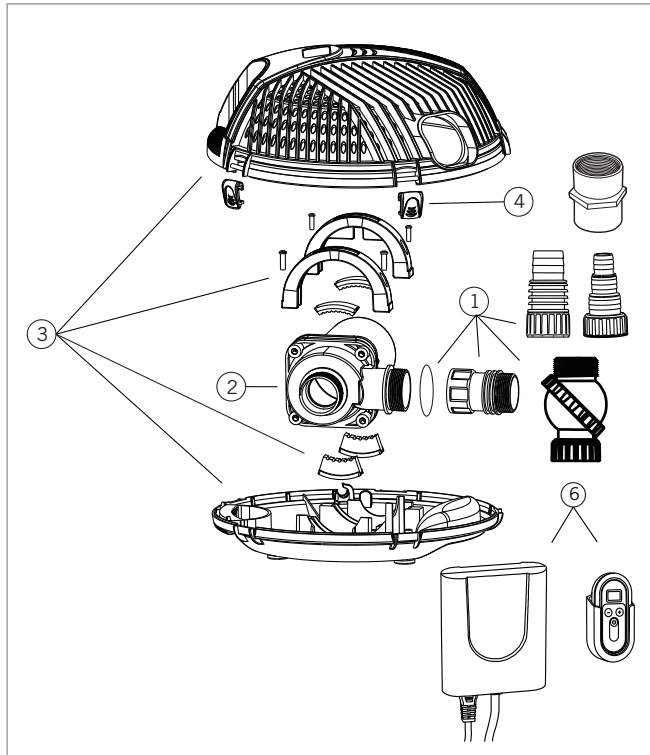
### Winter Storage

- The pump can be run during freezing weather if desired but should be removed if shutting down the pump for the winter. Disconnect the threaded collar on the discharge fitting and remove the pump from the pond (be careful not to lose the flat rubber washer). Clean the pump and cage screens with fresh water and store the pump in a frost-free location.

### Troubleshooting

- **Reduced Water Flow**
  - Pump or plumbing may be clogged. It may be necessary to clean the pump cage screens and impeller.
- **Pump Hums and Doesn't Push Water**
  - Pump or plumbing may be clogged. It may be necessary to clean the pump cage screens and impeller.
  - Remove the water chamber cover and inspect and clean the impeller rotor assembly and internal pump body.
  - Make sure nothing is blocking or wrapped around the impeller.
  - Make sure the pump is receiving the correct voltage.
- **Pump Not Working**
  - The ground-fault circuit-interrupter (GFCI) may have tripped.
  - The pump is not receiving the correct voltage.
- **Remote Control Not Working**
  - Check to make sure the switch located on the Receiver is in the remote control position. See page 6.
  - Check the label on the back of the receiver and transmitter to make sure they are paired to the same frequency.
  - Check to make sure the remote control battery is installed properly. Replace battery if needed.

### Replacement Parts



AQUAFORCE PRO® PUMPS Replacement Parts		
Diagram Numbers	Item #	Product
①	91075	AquaForce® Replacement Cage Discharge Fitting Kit
②	91077	AquaForce® 3600/5200 Replacement Water Chamber Cover
③	91096	AquaForce® 4000/8000 (G2) Replacement Pump Cage Kit
④	91079	AquaForce® (G2) Replacement Cage Clip Kit
⑤	91101	AquaForce® PRO Replacement Impeller Kit
⑥	45029	AquaSurge® PRO/ AquaForcePRO Pump Remote and Receiver Kit (G2)

### Warranty

#### 3 YEAR WARRANTY

The AquascapePRO AquaForce® Adjustable Flow Pump is guaranteed for three years from date of purchase. Proof of purchase required. Warranty does not cover damage resulting from negligent handling, misuse or lack of reasonable maintenance or care. Warranty is valid against defects due to material and the company's workmanship only. The sole obligation shall be to replace the defective unit with a suitable replacement unit. Units should be checked for proper operation prior to returning as defective. No liability for loss or damage of any nature or kind, whether arising out of or from the use of the product, whether defective or not defective, is assumed by Aquascape, Inc. or its affiliates.



# AquaForce® Adjustable Flow Pump

**Pompe de filtrage et cascades avec télécommandé, submersible et résistante au colmatage**

**Pour les modèles :**  
• 4000-8000  
(article n° 91104)



Conçue pour une utilisation continue

www.aquascapeinc.com



# AquaForce<sup>MD</sup> Adjustable Flow Pump

**Merci d'avoir choisi la pompe à plan d'eau AquaForce<sup>MD</sup>.** Chez Aquascape, notre but est de fournir à nos clients des produits de la plus haute qualité pour le jardinage aquatique. Nous espérons que vous aimerez votre achat et nous vous remercions d'avoir choisi Aquascape.

*Votre paradis. Notre passion.<sup>MD</sup>*

Les pompes pour filtration et cascades AquaForce<sup>MD</sup> asynchrones et résistantes au colmatage effectuent ce que la plupart des autres pompes n'aspirent qu'à réaliser. La combinaison d'une performance écoénergétique, du débit et de la facilité d'entretien fait de cette pompe le choix idéal pour les propriétaires de plan d'eau exigeants. La cage protectrice préfiltrante d'AquaForce<sup>MD</sup> permet à la pompe d'être placée directement dans le plan d'eau. Les pompes AquaForce<sup>MD</sup> peuvent aspirer jusqu'à ¼ po (6,4 mm) de matières solides, rendant leur utilisation idéale avec des filtres à pression externes ou des systèmes de filtration pour cascades Aquascape. La capacité d'ajuster le débit facilite le choix de la bonne pompe pour n'importe quelle application.

L'AquaForce<sup>MD</sup> peut aussi être utilisée comme dégivreur pour prévenir la perte de poissons durant la saison froide en maintenant un orifice dans la glace. Le puissant débit de la pompe, qui produit un jet situé juste sous la surface de l'eau, assurera le maintien du niveau essentiel d'oxygène dans le plan d'eau durant la saison froide.



VISITEZ NOTRE  
SITE WEB



EFFECTUEZ UNE  
RECHERCHE  
DANS NOTRE  
CATALOGUE



INSTRUCTIONS  
D'INSTALLATION  
DE NOTRE  
ÉQUIPE DE SPÉ-  
CIALISTES EN  
PLAN D'EAU

## 📞 Nous joindre

For more information about our company or products please visit our website at [www.aquascapeinc.com](http://www.aquascapeinc.com) or call (US) 1-866-877-6637 (CAN) 1-866-766-3426.

## Rejoignez-nous sur :

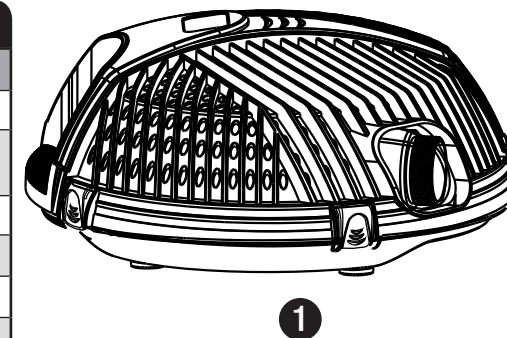


[www.facebook.com/AquascapeInc](http://www.facebook.com/AquascapeInc)  
[www.youtube.com/aquascape4](http://www.youtube.com/aquascape4)  
[www.twitter.com/AquascapeInc](http://www.twitter.com/AquascapeInc)  
[www.flipboard.com/profile/AquascapeInc](http://www.flipboard.com/profile/AquascapeInc)

## Table des matières

Introduction .....	10
Renseignements de sécurité .....	11
Mode d'emploi .....	12
Fonctionnement et entretien .....	14
Diagnostic des pannes.....	16

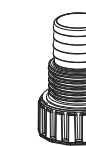
Contents	
No.	Description
1.	(1) AquaForce Pump
2.	(1) 1", 1.25", 1.5" Multi-Hose Adapter
3.	(1) 1.5" Rotational Ball Output
4.	(1) 1.5", 2" Multi-Hose Adapter
5.	(1) 1.5" Female Fitting
6.	(1) 38mm FTP x 1-1/2" MPT
7.	(1) Remote control and receiver



2



3



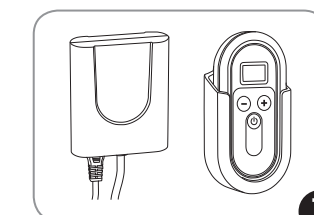
4



5



6



7

## Symboles utiles



**Symbole AVERTISSEMENT** - Vous alertera sur la possibilité de dommages corporels ou matériels si vous ne vous conformez pas aux avertissements qui les accompagnent. Le danger peut avoir une origine mécanique ou être dû à une électrocution.



**Symbole CONSEIL** - Informations utiles fournies par un installateur professionnel de bassins.

## Renseignements de sécurité



**MISE EN GARDE : risque de choc électrique**  
- Cette pompe n'a pas été approuvée pour une utilisation en piscine ou en zones marines.



**MISE EN GARDE : Afin d'assurer une protection continue contre le risque de décharge électrique, ne branchez le cordon qu'à une prise d'alimentation avec mise à la terre, en observant les directives suivantes :**

- (A) Faites installer une prise de courant correctement mise à la terre convenant à une utilisation extérieure et protégée de la neige et de la pluie
- (B) Inspectez le cordon d'alimentation avant l'utilisation
- (C) N'utilisez pas de rallonge électrique
- (D) Tout câblage relié à la pompe devrait être exécuté par un électricien qualifié pour être en conformité avec les normes et s'assurer de la sécurité de l'utilisateur
- (E) Débranchez la pompe de la prise de courant lorsque vous ne vous en servez pas ou avant de la sortir du plan d'eau
- (F) Pour réduire le risque de décharge électrique, tout le câblage et les raccordements de jonction

devraient être exécutés selon les normes locales. Les exigences peuvent varier en fonction de l'utilisation et de l'emplacement

- (G) Le câble électrique devrait être protégé en tout temps pour éviter les perforations, les coupures, les ecchymoses et les abrasions
- (H) Ne manipulez jamais les cordons d'alimentation avec les mains humides
- (I) N'enlevez pas le cordon et le dispositif de réduction de la tension. Ne joignez pas le conduit à la pompe
- (J) Ne soulevez pas la pompe par le cordon d'alimentation.





### AquaForce PRO® Pump Specs

Model Number	4000-8000
Average Pond Size Recommendation	For ponds up to 16,000 gallons
Maximum Flow Rate	7,794 GPH
Maximum Head Height	28 ft
Motor Type	Asynchronous
Wattage	500-660*
Amperage	5.5
Power Cord Length	20 ft
Pump Discharge Diameter	1.5" MPT
Multi-Hose Fitting Diameters	1", 1.25", 1.5", 2"
Warranty	3-Year Limited

\*Wattage range depending on remote-control flow setting

### Mode d'emploi

- La pompe doit toujours être entièrement submergée lors de son fonctionnement. Ne pas le faire entraînera le surchauffement de la pompe et causera une défaillance de fonctionnement, ce qui annulera la garantie. **NE PAS FAIRE FONCTIONNER À SEC!**
- N'utilisez la pompe que lorsqu'elle est entièrement assemblée et assurez-vous que les deux grilles de la cage, supérieure et inférieure, soient bien attachées ensemble. Si vous opérez la pompe lorsque la cage de filtration n'est pas fermée, des débris de grande taille risquent d'entrer dans la pompe entraînant ainsi sa défaillance et annulant de ce fait la garantie.
- Ne portez pas de vêtements amples qui peuvent s'empêtrer dans la turbine ou dans d'autres pièces en mouvement.
- Restez à l'écart des sorties et des entrées d'eau. **N'INSÉREZ PAS** de doigts dans la pompe lorsqu'elle est branchée.
- Ne pompez pas de matières dangereuses ou des liquides, tels que l'huile, l'eau salée ou les solvants biologiques.
- Ne bloquez ni ne restreignez la sortie de la pompe.

- Les produits retournés doivent être nettoyés, désinfectés ou décontaminés au besoin, avant l'expédition pour s'assurer que les employés ne soient pas exposés à des risques pour la santé lors de la manutention dudit matériel. Toutes lois et tous règlements en vigueur seront applicables.

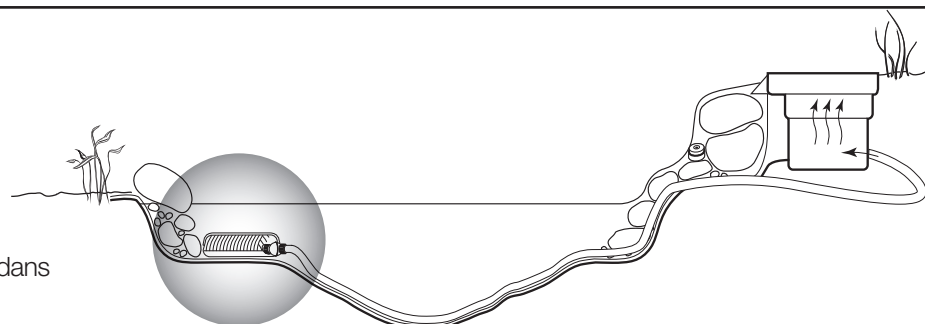
**IMPORTANT:** Aquascape inc. n'est nullement responsable des pertes, blessures ou décès résultant du non-respect de ces consignes, d'une mauvaise utilisation ou d'une utilisation abusive de la pompe ou de l'équipement.

### Cahier des caractéristiques techniques d'AquaForce<sup>MD</sup> PRO

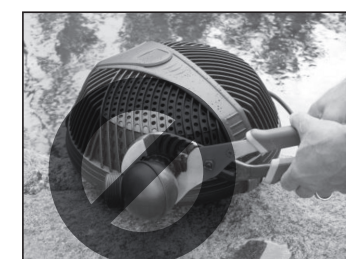
- Tension d'entrée : 120 V c.a.
- Fréquence d'entrée : 60 Hz
- Pompe submersible
- Pour utilisation extérieure ou intérieure
- Protection thermique
- Pompe évaluée en utilisation avec de l'eau seulement
- Intensité de courant d'entrée et puissance en watts: voir diagramme ci-dessous

### Installation type dans un jardin d'eau avec écosystème

- La pompe AquaForce<sup>MD</sup> est conçue pour être submergée directement dans le plan d'eau. Afin de maximiser la circulation d'eau dans le plan d'eau, placez la pompe AquaForce<sup>MD</sup> aussi loin que possible de l'emplacement où l'eau entre à nouveau dans l'installation aquatique.
- Il est recommandé de **NE PAS** placer la pompe dans la partie la plus profonde du plan d'eau. Ceci protégera les poissons en empêchant le plan d'eau de se vider complètement en cas de fuite dans la plomberie ou le filtre. Des briques ou des pierres peuvent être utilisées, si nécessaire, pour surélever la pompe du fond du plan d'eau.



- L'AquaForce<sup>MD</sup> comprend un vaste assortiment de raccords parmi lequel choisir. Sélectionnez le raccord approprié ou les raccords nécessaires à votre installation.
- Le col fileté de tous les raccords permet à la pompe AquaForce<sup>MD</sup> d'être installée et enlevée sans outils. N'utilisez pas d'outils pour fixer les raccords à la sortie de la pompe. Les pièces doivent être serrées à la main seulement.



- La sortie d'eau à boule pivotante extrêmement polyvalente vous donne la capacité d'ajuster la sortie d'eau de la pompe à la position requise par votre installation aquatique. En desserrant le col fileté, vous pouvez faire tourner la moitié supérieure de la boule. Une rondelle plate en caoutchouc est incluse pour un raccordement serré manuellement et sans fuite. Assurez-vous que la rondelle plate en caoutchouc soit préalablement mise en place avant l'installation des raccords.



- Installez l'adaptateur de tuyau multiple de la bonne taille en vous basant sur le diamètre du tuyau que vous utilisez.



- Si vous utilisez un tuyau d'un diamètre supérieur à la partie la plus étroite de l'adaptateur de tuyau multiple, taillez les parties plus étroites pour éviter toute restriction dans le débit d'eau.

- Dans certains cas, le tuyau peut être serré et difficile à utiliser avec les raccords filetés. Si tel est le cas, nous recommandons de chauffer le tuyau à l'aide d'un sèche-cheveux ou simplement le tuyau plongeant pendant quelques secondes dans de l'eau très chaude. La lubrification peut aussi être utilisée; nous recommandons la graisse de silicone ou d'huile d'olive. Nous vous conseillons de placer le raccord sur le filtre avant de raccorder le tuyau. Une fois que le montage est en place, fixez le tuyau sur le raccord avec un mouvement de torsion poussant en place.

- Fixez le tuyau au raccord. Si le tuyau n'est pas assez serré au raccord, utilisez un collier de serrage (non compris) pour bien fixer le tuyau au raccord.
- Joignez l'autre bout du tuyau de la pompe au filtre à plan d'eau comme un filtre biologique, un déversoir de cascades ou un filtre pressurisé.

- Il est recommandé de monter le récepteur au-dessus du sol sur un poteau, une clôture ou un mur.



- Branchez la pompe dans le récepteur en s'assurant que le bleu joint de bouchon est en prise port.

- Branchez la pompe dans la prise d'alimentation électrique externe GFI.





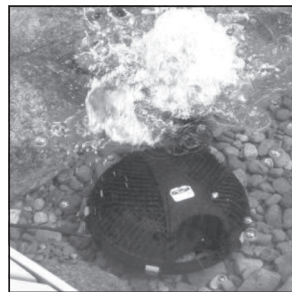
## Utilisation de l'AquaForce<sup>MD</sup> comme barboteur hivernal

- L'AquaForce<sup>MD</sup> peut aussi être utilisée pour prévenir la perte de poissons durant la saison froide en maintenant un orifice dans la glace. L'AquaForce<sup>MD</sup> permet de maintenir des niveaux d'oxygène suffisants et un échange gazeux approprié dans le plan d'eau, prévenant ainsi la perte de poissons. Pour de meilleurs résultats, utilisez l'AquaForce<sup>MD</sup> en combinaison avec un dégivreur. De plus, la combinaison de la pompe AquaForce<sup>MD</sup> et du dégivreur augmentera les niveaux d'oxygène du plan d'eau, éliminera de l'eau les gaz potentiellement nuisibles et fournira une protection de secours au cas où un des dispositifs arrêterait de fonctionner.



Dégivreur

- Il est important de ne pas installer l'AquaForce<sup>MD</sup> au fond du plan d'eau pendant l'hiver. Ceci pourrait perturber la thermocline présente naturellement dans les parties plus profondes du plan d'eau, là où les poissons hivernent. Au lieu de cela, placez l'AquaForce<sup>MD</sup> à au moins 1 pi (30 cm) au-dessus du point le plus profond de l'étang. La boule pivotante devrait être orientée de façon à permettre à l'eau d'émettre des bulles à la surface. Des briques ou des pierres peuvent être utilisées si nécessaire pour élever la pompe au niveau adéquat.



## Fonctionnement de la télécommande et du récepteur

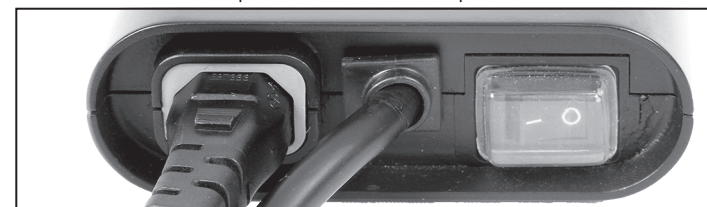
- L'interrupteur récepteur** – Le récepteur inclut un interrupteur qui permet de faire fonctionner la pompe selon les deux modes ci-après :

- Position 1** - De fonctionner à l'aide de la télécommande
- Position 2** - De fonctionner en débit maximal sans la télécommande

En cas de perte de courant électrique, lorsque vous faites fonctionner en mode télécommande, la pompe retournera au dernier réglage de débit.

### • La télécommande –

La télécommande permet de mettre le plan d'eau en



marche et d'ajuster le débit de la pompe. Assurez-vous que l'interrupteur sur le récepteur est en mode télécommande pour que celle-ci fonctionne correctement. Cette dernière

a une portée d'environ 45,72 m (150 pi), à condition qu'il n'y ait aucun obstacle entre la télécommande et le récepteur. Utilisez l'étui de montage inclus pour fournir un emplacement pour la télécommande. Il est recommandé de monter l'étui dans un endroit qui est protégée contre les éléments extérieurs.

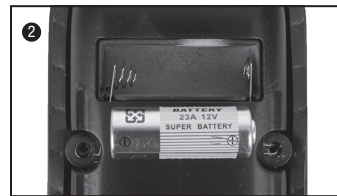


**Augmentation du débit**  
**Marche-arrêt**  
**Diminution du débit**

**REMARQUE:** La télécommande et le récepteur sont appariés avec leur fréquence propre. Pour cette raison, les trousse de remplacement de télécommande incluent tant la télécommande que le récepteur.

### • Installation des piles

- Retirez les quatre vis. Retirer la plaque arrière de couverture.
- Placez la batterie dans le compartiment de la batterie a besoin 1- 23A 12V la batterie.
- Remplacez le couvercle arrière et installez les vis.



## Fonctionnement de la pompe et d'entretien

- Cage de pompe** – N'enlevez ni la cage supérieure ni la cage inférieure de la pompe lorsque vous l'actionnez. Faire fonctionner la pompe sans la cage de filtration ou avec une cage brisée permettrait à des débris de grande taille d'entrer dans la pompe, entraînant ainsi sa défaillance et annulant de ce fait la garantie.



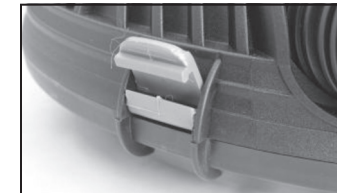
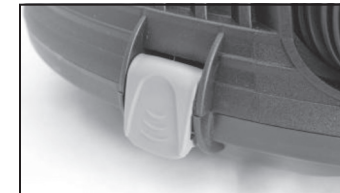
VIDÉO – ENTRETIEN DE LA POMPE AQUAFORCE ET CONSEILS DE DÉPANNAGE

- Nettoyage de la cage de pompe** – Nous recommandons d'inspecter votre pompe régulièrement pour vous assurer qu'elle fonctionne correctement. Si vous remarquez que le débit d'eau diminue, cela peut être dû à des débris obstruant la cage de filtration de la pompe. Débranchez le courant en tout temps avant de procéder à l'entretien de la pompe. Dans de nombreux cas, la cage de filtration bouchée peut être nettoyée en plongeant la main

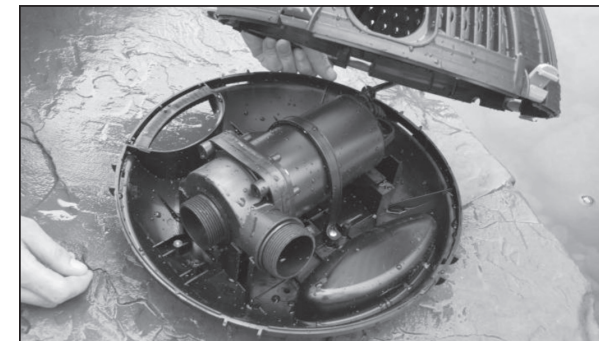


dans le plan d'eau, ou en mettant la pompe hors de l'eau et en enlevant les débris de la cage de filtration.

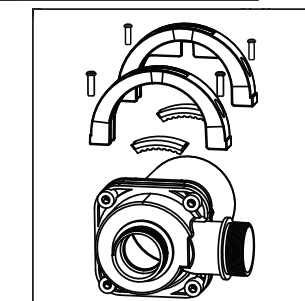
- Retirez les débris logés dans la cage de filtration de la pompe et/ou utilisez un tuyau d'arrosage pour nettoyer les débris collés sur la cage de filtration.
- Nettoyage interne de la pompe** – Si vous avez nettoyé à fond les grilles de la cage de filtration et avez réduit le débit d'eau, alors vous devrez enlever la pompe de la cage inférieure et inspecter l'assemblage du rotor à turbine.
- Tirez sur les loquets de déblocage de la cage vers l'extérieur pour ouvrir les cages supérieure et inférieure de la pompe.



- Les loquets de déblocage de cage étant détachés, la cage de filtration supérieure peut être soulevée pour en exposer la pompe.

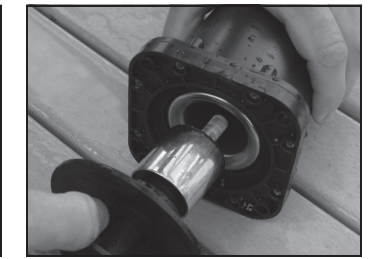


- Enlevez les vis qui fixent le support de retenue de la pompe, permettant à la pompe pour être levé par la cage.

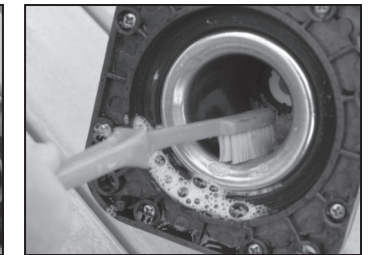


- Pour accéder plus facilement à la pompe, libérez aussi le cordon d'alimentation du dispositif de décharge de traction.

- Enlevez les quatre vis qui retiennent le couvercle de la chambre d'eau et inspectez l'assemblage du rotor à turbine.

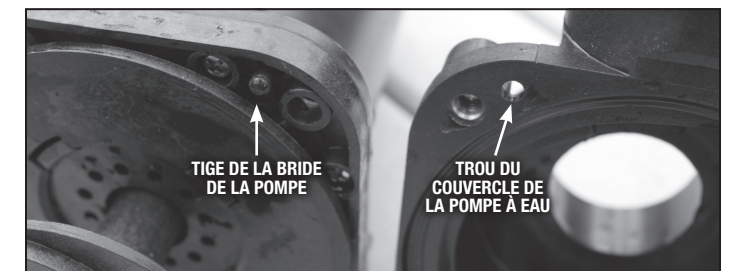
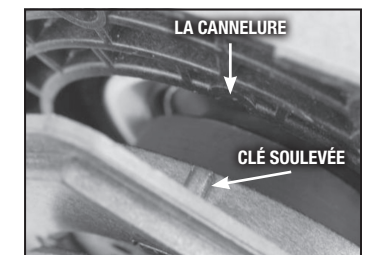


- Si l'assemblage de la turbine du rotor et la partie interne de la pompe contiennent des dépôts calcaires excessifs, nettoyez avec un acide doux, comme du vinaigre blanc ou du CLR, et une éponge de cuisine ou une brosse à poils doux qui n'égratignera pas l'acier inoxydable. Ceci éliminera les résidus calcaires et permettra à la turbine de la pompe de tourner à nouveau.



## Remplacement de l'assemblage du rotor de turbine

- Remarque** – En remplaçant l'assemblage du rotor de turbine de l'AquaForce<sup>MD</sup> dans le réservoir de la pompe, remarquez la bonne orientation. La clé soulevée sur la surface de la plaque avant de la turbine devrait être alignée à la cannelure du boîtier de la pompe.



- L'AquaForce<sup>MD</sup> est prête pour le remontage** – Le couvercle du réservoir ne s'emboîtera sur la pompe qu'en faisant correspondre l'une contre l'autre les formes de goutte d'eau du couvercle et de la pompe, le trou étant bien aligné avec la tige de la bride du moteur de la pompe.





## Remplacement de la pompe dans la cage

- Remplacez la pompe dans la partie inférieure cage et sécurisé lieu avec les anneaux de la pompe. Remplacez les cordons d'alimentation.
- Réinstallez la cage de filtration et fermez les cinq loquets.

## Le rangement hivernal

- Vous pouvez faire fonctionner la pompe par temps glacial si désiré, mais elle devrait être enlevée si vous l'arrêtez pour l'hiver. Débranchez le col fileté du raccord de sortie et sortez la pompe du plan d'eau (gardez prudemment la rondelle en caoutchouc plate). Nettoyez la pompe et les grilles de la cage avec de l'eau douce et rangez la pompe dans un endroit à l'abri du gel.

## Diagnostic des pannes

### • Débit d'eau réduit

- La pompe ou la plomberie peuvent être bouchées. Il peut être nécessaire de nettoyer les grilles de filtration et la turbine.

### • Bourdonnement de la pompe et absence de propulsion d'eau

- La pompe ou la plomberie peuvent être bouchées. Il peut être nécessaire de nettoyer les grilles de filtration et la turbine.
- Enlevez le couvercle du réservoir, inspectez et nettoyez l'assemblage du rotor de turbine et la partie interne de la pompe.
- Assurez-vous que rien ne bloque ou n'enveloppe la turbine.
- Assurez-vous que la pompe reçoit la bonne tension.

### • Pompe en panne

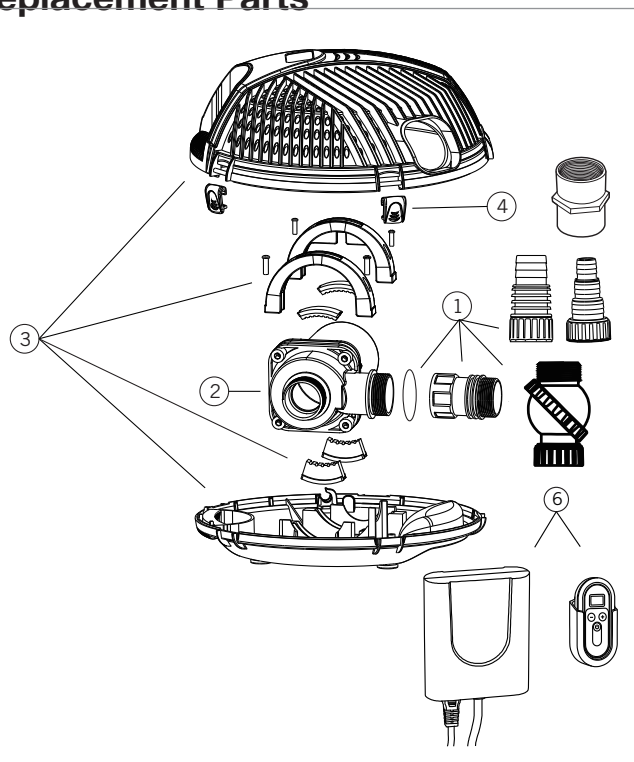
- L'interrupteur du disjoncteur de fuite à la terre (GFCI) peut avoir été déclenché.
- La pompe ne reçoit pas la bonne tension.

### • Télécommande ne fonctionne pas

- Assurez vous que l'interrupteur sur le récepteur est en mode télécommande
- Vérifiez l'étiquette sur le dos de l'émetteur et le récepteur pour s'assurer qu'ils sont appariés à la même fréquence.
- Assurez-vous que la batterie est installée correctement. Remplacez la batterie si nécessaire.

Pour plus de renseignements au sujet de notre société ou de nos produits, veuillez visiter notre site Web au [www.aquascapeinc.com](http://www.aquascapeinc.com) ou téléphonez sans frais au 1 866 766 3426, au Canada, ou au 1 866 877 6637, aux États-Unis.

## Replacement Parts



### AQUAFORCE PRO® PUMPS Replacement Parts

Diagram Numbers	Item #	Product
①	91075	AquaForce® Replacement Cage Discharge Fitting Kit
②	91077	AquaForce® 3600/5200 Replacement Water Chamber Cover
③	91096	AquaForce® 4000/8000 (G2) Replacement Pump Cage Kit
④	91079	AquaForce® (G2) Replacement Cage Clip Kit
⑤	91101	AquaForce® PRO Replacement Impeller Kit
⑥	45029	AquaSurge® PRO/ AquaForcePRO Pump Remote and Receiver Kit (G2)

## Warranty

### 3 YEAR WARRANTY

The AquascapePRO AquaForce® Adjustable Flow Pump is guaranteed for three years from date of purchase. Proof of purchase required. Warranty does not cover damage resulting from negligent handling, misuse or lack of reasonable maintenance or care. Warranty is valid against defects due to material and the company's workmanship only. The sole obligation shall be to replace the defective unit with a suitable replacement unit. Units should be checked for proper operation prior to returning as defective. No liability for loss or damage of any nature or kind, whether arising out of or from the use of the product, whether defective or not defective, is assumed by Aquascape, Inc. or its affiliates.