

**LittleGIANT®**

**FLOATING AERATION  
AND CENTRIFUGAL  
FOUNTAIN PUMP**


**Owner's Manual**





# BEFORE GETTING STARTED


Read and follow safety instructions. Refer to product data plate(s) for additional operating instructions and specifications.

This is the safety alert symbol. When you see this symbol  on your pump or in this manual, look for one of the following signal words and be alert to the potential for personal injury or property damage if ignored:

 **DANGER** Warns about hazards that will cause serious personal injury, death or major property damage if ignored.

 **WARNING** Warns about hazards that can cause serious personal injury, death or major property damage if ignored.

 **CAUTION** Warns about hazards that will or can cause minor personal injury or major property damage if ignored.

 **NOTICE** Indicates special instructions which are important but not related to hazards. Carefully read and follow all safety instructions in this manual and on pump.



**⚠ DANGER** Do not use to pump flammable or explosive fluids such as gasoline, fuel oil, kerosene, etc. Do not use in explosive atmospheres or hazardous locations as classified by the NEC, ANSI/NFPA70. Failure to follow this warning will result in property damage, personal injury or death. Do not handle a pump or pump motor with wet hands or when standing on a wet or damp surface or in water. Failure to follow this warning can result in fatal electrical shock. Product should only be used with liquids compatible with product component materials.

## **⚠ WARNING**

- **RISK OF ELECTRIC SHOCK** - This product is supplied with a grounding conductor and/or grounding-type attachment plug. To reduce the risk of electrical shock, be certain that it is connected to a properly grounded grounding-type receptacle. Disconnect power before working on or around the product.
- This equipment should be installed by technically qualified personnel. Comply with national and local electrical and plumbing codes as well as the National Electrical Code (NEC) and the Occupational Safety and Health Act (OSHA) when installing this unit. Failure to install it in compliance with national and local electrical and plumbing codes and within Franklin Electric recommendations may result in electrical shock or fire hazard, unsatisfactory performance, or equipment failure. Installation information is available through pump manufacturers and distributors, or directly from Franklin Electric at our toll-free number 888.956.0000.
- To reduce risk of electric shock, which can result in personal injury, death or major property damage if ignored, be certain that this product is connected to a circuit equipped with a ground fault circuit interrupter (GFCI) device. Comply with all national and local electrical and plumbing codes when installing this unit. Do not use an extension cord.
- Make certain that the unit is disconnected from the power source before attempting to service or remove any component. If the power disconnect is out-of-sight, lock it in the open position and tag it to prevent unexpected application of power.
- Possible cutting hazard. Rotating propeller could result in serious injury. Turn off power and lock out before installation or servicing.
- This product has not been investigated for use in swimming pool or marine areas.
- Before attempting to install, service or maintain the unit and/or flotation in any body of water, a U.S. Coast Guard Approved personal flotation device (PFD) type I, II or III must be worn.
- The flotation provided with this product has not been investigated for use as a personal flotation device.
- Attempting to install or service equipment from an unstable work platform could result in death or injury.
- The pump motor is equipped with an automatic-resetting thermal protector and may restart unexpectedly. Protector-tripping is an indication of motor overloading and/or overheating. See **Troubleshooting** section for additional information.

## **⚠ CAUTION**

- Do not operate this equipment out of the water.
- Keep safety labels clean and in good condition.
- Wear safety glasses while installing or performing maintenance on product.
- Make sure all **ELECTRICAL POWER IS OFF** before connecting any electrical wires. Follow all product wiring instructions provided in the **Electrical Connections** section of this manual.
- This pump has been evaluated for use with water only.

## **⚠ NOTICE**

- This equipment must not be used by children or persons with reduced physical, sensory or mental abilities, or lacking in experience and expertise, unless supervised or instructed. Children may not use the equipment, nor may they play with the equipment or in the immediate vicinity.
- Periodically inspect unit and system components. Schedule and perform routine maintenance as required and in accordance with the **System Maintenance** section.

# GETTING STARTED

This instruction sheet provides you with the information required to safely own and operate your Little Giant® product. Retain these instructions for future reference. The Little Giant product you have purchased is of the highest quality workmanship and material and has been engineered to give you long and reliable service. Little Giant products are carefully tested, inspected, and packaged to ensure safe delivery and operation. Please examine your product carefully to ensure that no damage occurred during shipment. If damage has occurred, please contact the place of purchase. They will assist you in replacement or repair, if required.



If you have difficulty or find some parts missing, please call the Little Giant Technical Support Line at 888.956.0000 prior to returning this product to the place of purchase. They will troubleshoot with you over the phone and determine the best course of action.

**⚠ WARNING** READ THESE INSTRUCTIONS CAREFULLY BEFORE ATTEMPTING TO INSTALL, OPERATE OR SERVICE YOUR LITTLE GIANT PRODUCT. KNOW THE PRODUCT'S APPLICATION, LIMITATIONS, AND POTENTIAL HAZARDS. PROTECT YOURSELF AND OTHERS BY OBSERVING ALL SAFETY INFORMATION. FAILURE TO COMPLY WITH THESE INSTRUCTIONS COULD RESULT IN PERSONAL INJURY AND/OR PROPERTY DAMAGE!

## Description

The product(s) covered by this document can be assembled in two different configurations: a floating aeration pump or a floating centrifugal fountain pump, each of which provides a different function. Configured as an aeration pump, oxygenated water is circulated to features such as ponds, lakes, and water gardens. Configured as a centrifugal fountain pump, a variety of aesthetically pleasing fountain patterns are produced.

# SPECIFICATIONS

Specifications are listed separately for the two configurations for which this product can be assembled.

AERATION UNIT - PROPELLER PUMP HEAD									
Model No.	Item No.	Volts/ Freq.	Amps	Fuse or Circuit Breaker Amps	Cord Length (feet)	Minimum Operation Depth (inches)	GPM	Average Fountain Height (feet)	Average Fountain Width (feet)
APA-05-HAR	517300	115/60	12	15A	100	18	350	4	10
APA-10-HAR	517301	230/60	10.8	15A	150	18	800	6	16

FOUNTAIN UNIT - CENTRIFUGAL PUMP HEAD										
Model No.	Item No.	Volts/ Freq.	Fuse or Circuit Breaker Amps	Cord Length (feet)	Minimum Operation Depth (inches)	Nozzle Type	Amps	Watts	Average Fountain Height (feet)	Average Fountain Width (feet)
FPA-05-K01	517310	115/60	15A	100	18	Sonata	10.9	960	14	28
						Cantata	11.0	995	13	18
						Concerto	11.8	1100	15	30
FPA-10-K01	517311	230/60	15A	150	18	Sonata	10.10	1923	16	32
						Cantata	10.4	1991	20	20
						Concerto	9.7	1800	30	50

FOUNTAIN UNIT - OPTIONAL NOZZLE TYPES AVAILABLE						
Nozzle Type	Item No.	HP	Amps	Watts	Average Fountain Height (feet)	Average Fountain Width (feet)
Staccato	517322	1/2	11.6	1062	8	14
		1	10.5	2022	14	18
Crescendo	517323	1/2	11.4	1020	13	-
		1	10.2	1960	25	-

MOTOR						
Rating				Maximum Load Amps	Winding Res. In Ohms	Locked Rotor Amps
HP	Volts	Hz	S.F.			
1/2	115	60	1.6	12	1.0 - 1.3	64.4
1	230	60	1.4	10.8	2.2 - 2.7	48.7

# INSTALLATION – AERATION PUMP ASSEMBLY

## (Model APA-XX-HAR)



**⚠ WARNING** This equipment should be installed by technically qualified personnel. Comply with national and local electrical and plumbing codes as well as the National Electrical Code (NEC) and the Occupational Safety and Health Act (OSHA) when installing this unit. Failure to install it in compliance with national and local electrical and plumbing codes and within Franklin Electric recommendations may result in electrical shock or fire hazard, unsatisfactory performance or equipment failure. Installation information is available through pump manufacturers and distributors, or directly from Franklin Electric at our toll-free number 888.956.0000.

**⚠ DANGER** Do not use to pump flammable or explosive fluids such as gasoline, fuel oil, kerosene, etc. Do not use in explosive atmospheres or hazardous locations as classified by the NEC, ANSI/NFPA70. Failure to follow this warning can result in property damage, personal injury, or death. Do not handle a pump or pump motor with wet hands or when standing on a wet or damp surface or in water. Failure to follow this warning can result in fatal electrical shock. Product should only be used with liquids compatible with product component materials.

**⚠ WARNING** This product has not been investigated for use in swimming pool or marine areas.

**⚠ WARNING RISK OF ELECTRIC SHOCK** - Make certain that the unit is disconnected from the power source before attempting to install, service or remove any component. If the power disconnect is out-of-sight, lock it in the open position and tag it to prevent unexpected application of power.

**Step 1** Carefully unpack the pump.

a) Save the packaging for use in winter storage and/or for use in the event of return for warranty.

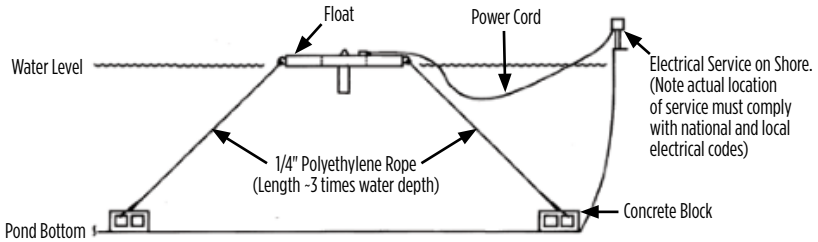
**Step 2** Placement of the unit.

a) **NOTE:** An alternative to anchoring the unit to the pond bottom is to moor the unit to the shore.

b) Prepare the float for anchoring/mooring

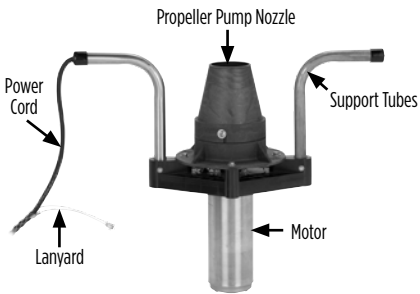
- i. Cut two lengths of 1/4" polyethylene rope. If anchoring to the pond bottom, allow for approximately 3 ft of rope for every foot of water depth (Figure 1). If mooring to the shore, allow for enough rope to reach from the intended float location on the pond surface to a secure mooring location on the shore.
- ii. A minimum of two anchoring/mooring ropes should be used, tied to two opposing corners of the float (Figure 3). Insert one rope end into one of the anchoring/mooring holes of the float and tie securely. Do the same on the diagonally opposite corner. Only two opposing corners are needed to secure most applications (Figure 1). However, if your application encounters strong windy conditions, anchoring/mooring three or more float corners can reduce drifting of the unit during these conditions.
- iii. Two 8" x 8" x 16" concrete building blocks (one per diagonally opposing corners) are commonly used as weights for anchoring the unit. This type of anchor buries itself in the mud or lake bottom.
- iv. Tie the opposite end of the ropes to separate concrete blocks in a secure manner.

- c) Position the float where desired on the pond.
- i. If anchoring the float to the pond bottom, lower one anchor block to the pond bottom, position the float where desired and lower the other anchor block to the pond bottom, each oriented so that the ropes are at an angle to the float (Figure 1).
  - ii. If mooring the float to the shore, position the float where desired and tie the mooring ropes to secure mooring anchors on opposite shores.

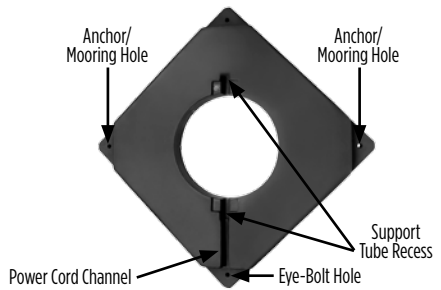


**Figure 1**

- d) Install the aeration pump/motor assembly to the float. No mounting hardware or tools are needed.
- i. Lower the motor end-first through the hole in the center of the float and into the water.
  - ii. Rotate the pump/motor assembly so the power cord is oriented with the power cord channel in the float (Figures 2 and 3).
  - iii. Continue lowering until each support tube rests in its corresponding float recess.
  - iv. Tuck power cord along channel of float until it exits from the float and into water.
  - v. Connect lanyard to eye-bolt of float (Figures 2 and 3).



**Figure 2**



**Figure 3**

**Step 3** Proceed to **Electrical Connections** section.

# ELECTRICAL CONNECTIONS



**⚠ WARNING** This equipment should be installed by technically qualified personnel. Comply with national and local electrical and plumbing codes as well as the National Electrical Code (NEC) and the Occupational Safety and Health Act (OSHA) when installing this unit. Failure to install it in compliance with national and local electrical and plumbing codes and within Franklin Electric recommendations may result in electrical shock or fire hazard, unsatisfactory performance or equipment failure. Installation information is available through pump manufacturers and distributors, or directly from Franklin Electric at our toll-free number 888.956.0000.

**⚠ NOTICE** Installation of the electrical supply circuit to the unit is to be done by a certified licensed electrician in accordance with national and local codes.

**⚠ WARNING RISK OF ELECTRIC SHOCK** - Make certain that the unit is disconnected from the power source before attempting to install, service or remove any component. If the power disconnect is out-of-sight, lock it in the open position and tag it to prevent unexpected application of power.

**⚠ WARNING** To reduce risk of electric shock which can result in personal injury, death or major property damage if ignored, be certain that this product is connected to a circuit equipped with a ground fault circuit interrupter (GFCI) device. Comply with all national and local electrical and plumbing codes when installing this unit. Do not use an extension cord.

## Step 1 Unit Wiring

**⚠ WARNING RISK OF ELECTRIC SHOCK** - This product is supplied with a grounding conductor and/or grounding-type attachment plug. To reduce the risk of electrical shock, be certain that it is connected to a properly grounded grounding-type receptacle. Disconnect power before working on or around the product.

- a) **⚠ CAUTION** The pump is not equipped with an on/off switch. The pump will operate immediately and continuously once connected with the proper electrical power.
- b) **⚠ WARNING** Possible cutting hazard. Rotating propeller could result in serious injury.
- c) For protection against wet environments, connect power cord only to an outdoor-rated receptacle (with cover) that complies with all applicable national, state, and local codes.
- d) Secure (i.e. strain relieve) the power cord at the electrical service post in a manner that complies with national and local electrical and plumbing codes as well as the National Electrical Code (NEC).
- e) Line voltage:
  - i. Check product nameplate label for proper voltage required. Do not connect to voltage other than that shown on product nameplate label.
  - ii. Connect power cord to line voltage specified on motor and nameplate.
  - iii. If application requires the power cord to be hardwired, wiring is as follows:  
Green (or green/yellow)—ground.      Black (or brown)—line.      White (or blue)—neutral.
- f) An unprotected power cord, running from water's edge to receptacle, will be susceptible to damage. It is recommended the cord be protected inside a conduit that meets all national, state, and local codes.

**Step 2** Product is now ready for System Operation Testing. Proceed to **Operation Testing** section.



# SYSTEM OPERATION TESTING

**⚠ WARNING RISK OF ELECTRIC SHOCK** - Make certain that the unit is disconnected from the power source before attempting to install, service or remove any component. If the power disconnect is out-of-sight, lock it in the open position and tag it to prevent unexpected application of power.

**Step 1** Ensure all persons are removed from the water.

**Step 2** Verify that all wiring is per instructions and that the pump is connected to power.

**Step 3** Restore electrical power.

- a) Remove the lock-out device at the power source.
- b) Turn on power to the pump at the fuse box.
- c) Connect the power cord directly into the outdoor-rated and grounded receptacle.

**Step 4** Verify that the pump turns on and begins pumping water.

- a) Remove the power cord from the electrical supply if you need to turn the pump off.

**Step 5** The product should now be ready for operation. If the product does not operate properly, consult the **Troubleshooting** section.

# INSTALLATION – CENTRIFUGAL FOUNTAIN HEAD

## Conversion Kit Only (Model FPA-XX-K01)



### Description

The following instructions guide you in converting your aeration pump assembly to a centrifugal fountain assembly. It is assumed you already have the aeration pump assembly (model APA-XX-HAR) operational and have purchased the centrifugal fountain conversion kit (model FPA-XX-K01). Once completed, the converted fountain pump assembly will produce several attractive fountain patterns, but aeration to the water will be minimal. However, the unit can always be converted back to an aeration pump head if desired.

### Conversion Process

To watch a video outlining these steps, visit our website [www.lg-outdoor.com](http://www.lg-outdoor.com) and select the YouTube link. Or, scan the QR code above with your phone to visit our YouTube channel.

**⚠ WARNING RISK OF ELECTRIC SHOCK** - Make certain that the unit is disconnected from the power source before attempting to install, service or remove any component. If the power disconnect is out-of-sight, lock it in the open position and tag it to prevent unexpected application of power.

**Step 1** Ensure all persons are removed from the water.

**Step 2** Disconnect electrical power.

- a) Turn off power to the pump at the fuse box.
- b) Install the lock-out device at the power source.
- c) Disconnect the power cord from the outdoor-rated and grounded receptacle.

**Step 3** Remove aeration pump/motor assembly from the current application.

- a) Disconnect the lanyard to detach the power cord from the float (Figure 2).
- b) Lift aeration pump/motor assembly vertically up and remove from float.
- c) Take aeration pump/motor assembly to the shore for conversion to decorative fountain. Leave float anchored/moored in the water.

**Step 4** Remove aeration pump head from motor assembly.

- a) Place the fountain upright with the motor resting on a stable surface.

**⚠ CAUTION** Do not allow the unit to fall over as damage may occur.

- b) Remove the four indicated bolts that secure the nozzle plate to the motor mount. Clean and store those components (Figure 4).
- c) Remove the propeller from shaft by pulling in an upward motion as the arrow shows. Do not apply excessive force or damage may occur (Figure 5).

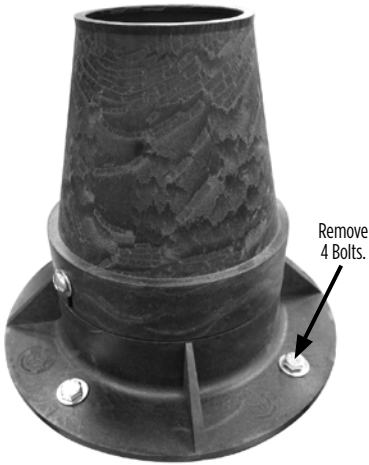


Figure 4

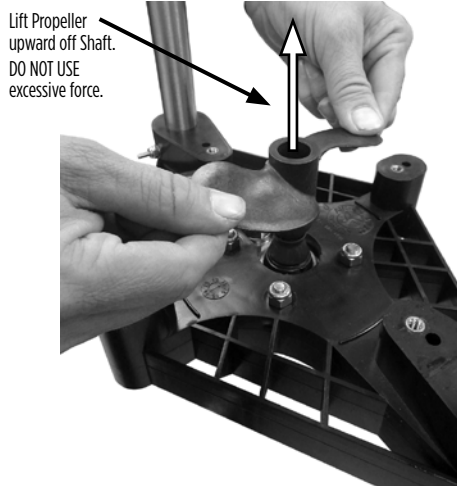


Figure 5

## Step 5 Install centrifugal fountain head to motor assembly.

- Position impeller shroud on motor mount as shown (Figure 6). No fasteners are required.
- Align the splines of impeller to splines of motor shaft (Figures 6 and 7), and push the entire assembly down onto the motor shaft (Figure 8). After activation the impeller will seat itself to the correct location on the motor shaft.
- Rotate the pump head assembly slightly to align four  $\frac{1}{4}$ -20 x 3-3/4" bolts to holes in motor mount. Tighten four bolts in an alternating fashion, torquing each to 50 in-lb (Figure 8).
- Install water plenum and nozzle gasket on top of the pump head assembly. Secure with four  $\frac{1}{4}$ -20 x 1/2" bolts in an alternating fashion, torquing each to 50 in-lb (Figure 9).
- Choose the nozzle with your desired fountain pattern and install inside the water plenum (Figure 10).
- Secure nozzle using two 10-24 x 1/2" screws provided. Tighten to hand-tight condition with screwdriver.

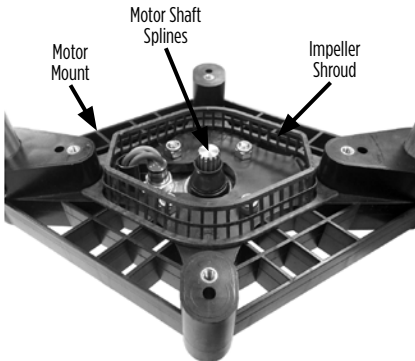


Figure 6

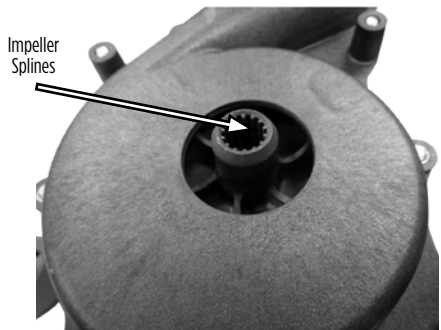
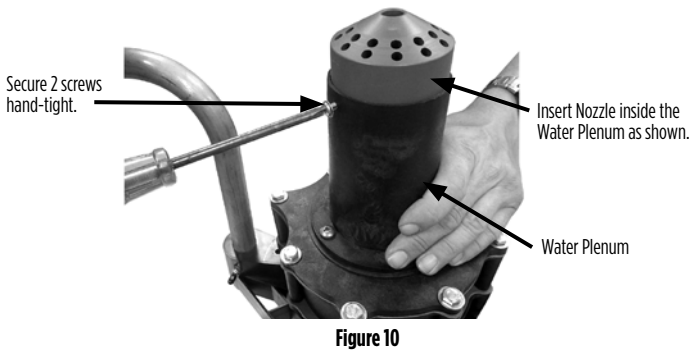
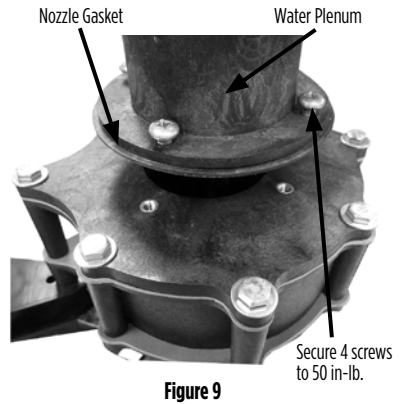
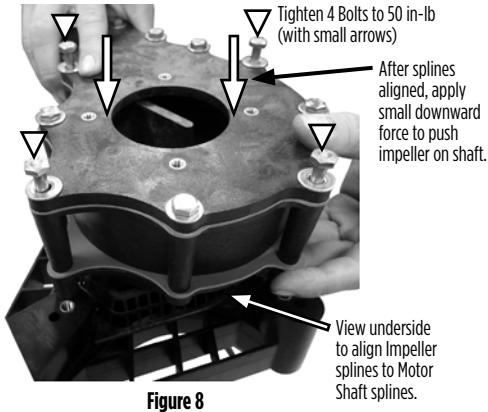


Figure 7



## Step 6 Install fountain head/motor assembly into float.

- Lower the motor end-first through the hole in the center of the float and into the water.
- Rotate the pump/motor assembly so the power cord is oriented with the power cord channel in the float (Figures 2 and 3).
- Continue lowering until each support tube rests in its corresponding float recess.
- Tuck power cord along channel of float until it exits from the float and into water.
- Connect lanyard to eye-bolt of float (Figures 2 and 3).

## Step 7 Restore electrical power.

- Ensure all persons are removed from the water.
- Remove the lock-out device at the power source.
- Turn on power to the pump at the fuse box.
- Connect the power cord directly into the outdoor-rated and grounded receptacle.
- Verify the pump turns on and begins pumping water.
- Remove the power cord from the electrical supply if you need to turn the pump off.
- The product should now be ready for operation. If the product does not operate properly, consult the **Troubleshooting** section.

# SYSTEM MAINTENANCE



**⚠ WARNING RISK OF ELECTRIC SHOCK** - Make certain that the unit is disconnected from the power source before attempting to install, service or remove any component. If the power disconnect is out-of-sight, lock it in the open position and tag it to prevent unexpected application of power.

Inspect and test the system condition and operation every 6 months (more frequently in heavy-use applications).

Conduct routine visual inspections of power cord along its entire length to ensure no abrasions, nicks or cuts exist that could result in risk of electric shock.

Follow the below procedure to ensure long life of your pump head/motor assembly:

**Step 1** Ensure all persons are removed from the water.

**Step 2** Disconnect electrical power.

- a) Turn off power to the pump at the fuse box.
- b) Install the lock-out device at the power source.
- c) Disconnect the power cord from the outdoor-rated and grounded receptacle.

**Step 3** Lift and remove the pump/motor assembly from the float and move the unit to the shore.

- a) Disconnect the lanyard to detach the power cord from the float (Figure 2).
- b) Lift pump/motor assembly vertically up and remove from float.
- c) Take pump/motor assembly to the shore for maintenance. Leave float anchored/moored in the water.

**Step 4** Inspect, clean, and remove any build-up on the **motor** (motor shown in Figure 2).

- a) Remove all build-up on motor. Note the motor is water-lubricated and cooled as water moves along the outer surface of the motor (there is no water circulation internal to the motor), so it's important to motor life to keep this outer surface clean.
- b) Motor is sealed. **NO SEAL OR FLUID MAINTENANCE IS REQUIRED.**
- c) There are no user-serviceable parts within the motor. **DO NOT TAMPER WITH THE MOTOR OR DISASSEMBLE THE MOTOR. SUCH TAMPERING WILL BE EVIDENT AND WILL VOID THE WARRANTY.**

**Step 5** Inspect, clean, and remove any build-up in the **Aeration Pump Head** (Figures 4 and 5).

- a) The propeller pump nozzle (Figure 2) is held in place by two screws. Loosen the screws just enough to be able to turn the nozzle counter-clockwise and slide off of the throat.
- b) Access to the flow straightener and propeller is now possible and will permit the removal of any foreign debris.
- c) Reinstall in the reverse order of removal and torque screws to 50 in.-lb.
- d) Visually inspect the propeller for wear at least two times a year.
- e) Replace the propeller if any wear is indicated, as propeller wear can promote premature motor failure. Refer to the **Replacement Parts** section.

## Step 6 Inspect, clean and remove any buildup in **Centrifugal Pump Head** (Figure 10).

- a) Remove the fountain nozzle from the water plenum and clean.
- b) Remove the water plenum from the top of the pump and clean any debris.
- c) If debris is observed inside the pump head:
  - a. Loosen the four bolts securing the pump head to the motor mount (Figure 8).
    - i. Remove the bolts securing the pump together.
    - ii. Disassemble the pump head (3 parts) and clean all debris.
    - iii. Replace the impeller if any wear is indicated, as impeller wear can promote premature motor failure.  
Refer to **Replacement Parts** section.
  - b. Reinstall centrifugal pump head components using the steps described in Step 5 of section **Installation – Centrifugal Fountain Head Conversion Kit**. Tighten all bolts to 50 in-lb.
  - c. Visually inspect the impeller for wear at least once a year.

## Step 7 Replace pump/motor assembly into float.

- a) Move the pump/motor assembly back to the float.
- b) Lower the motor end-first through the hole in the center of the float and into the water.
- c) Rotate the pump/motor assembly so the power cord is oriented with the power cord channel in the float (Figures 2 and 3).
- d) Continue lowering until each support tube rests in its corresponding float recess.
- e) Tuck power cord along channel of float until it exits from the float and into water.
- f) Connect lanyard to eye-bolt of float (Figures 2 and 3).

## Step 8 Restore electrical power.

- a) Ensure all persons are removed from the water.
- b) Remove the lock-out device at the power source.
- c) Turn on power to the pump at the fuse box.
- d) Connect the power cord directly into the outdoor-rated and grounded receptacle.
- e) Verify the pump turns on and begins pumping water.
- f) Remove the power cord from the electrical supply if you need to turn the pump off.

## Step 9 Test system operation.

- a) Test system following instructions outlined in the **System Operation Testing** section of this manual.
- b) The product should now be ready for operation. If the product does not operate properly, consult the **Troubleshooting** section.

# DEBRIS MANAGEMENT

Some ponds or lakes present challenges for the pump because of debris. The debris can enter the propeller area and quickly reduce performance of the fountain. For situations such as these, a debris barrier can be constructed to minimize clogging of the propeller, but is not a guarantee.

Material that should be considered for constructing after-market debris barriers are mesh-type configurations, either using plastic or non-corrosive metal material. The barrier should be installed around the perimeter of the float's inner diameter (Figure 11). For convenience, eight ¼-20 brass inserts have been molded into the perimeter of the float's inner diameter. Also note that it is important to keep the barrier away from the flow of water around the motor. Placing barrier material across the flow of water along the motor will significantly affect the motor's ability to cool, especially once the barrier material becomes blocked with debris, thereby shortening the life of the unit.

Please note that once a debris barrier is installed, it will have to be cleaned frequently to remove debris and maintain good water flow across the motor. If this is not done, performance will be reduced and/or damage could occur. Also remember not to regard the barrier as a safety device, and warn other workers of the same.

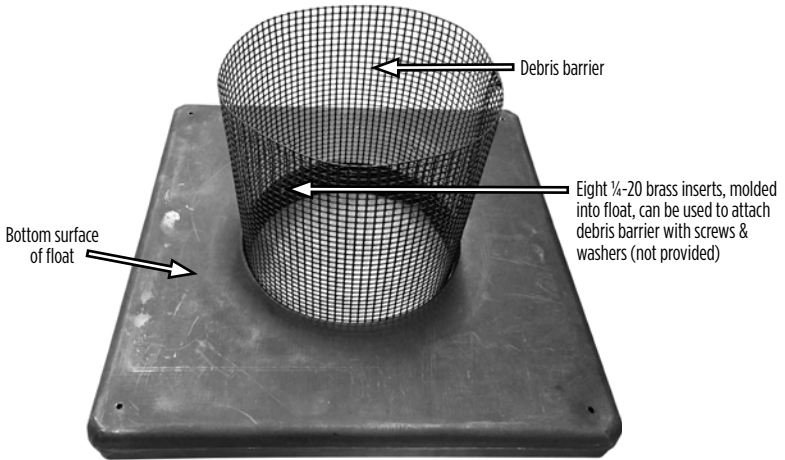


Figure 11

# STORAGE

Place unit in an upright position and protect from exposure to temperatures below -20 °F (-29 °C) and above 120 °F (49 °C). The most desired method of storing the unit would be to leave it in the pond or lake, as long as the unit is not allowed to freeze. The original carton can be used to transport and protect the unit while in storage.

# TROUBLESHOOTING

If you are experiencing difficulty in the operation of your product, please call the Little Giant Technical Support Line at 888.956.0000 for assistance. They will troubleshoot with you over the phone and determine the best course of action.

**⚠ WARNING RISK OF ELECTRIC SHOCK** – Make certain that the unit is disconnected from the power source before attempting to install, service or remove any component. If the power disconnect is out-of-sight, lock it in the open position and tag it to prevent unexpected application of power.

PROBLEM	PROBABLE CAUSES	CORRECTIVE ACTION
Unit does not start	Incorrect supply voltage	Verify the supply voltage is $\pm 10\%$ of the nameplate rating. If the voltage is incorrect, contact a licensed electrician or your power company.
	Fuse, breaker or GFCI tripped	Verify the correct rating/size fuse is used and in good condition. Replace fuse with the correct rating/size. Check for loose, dirty or corroded connections and resolve as necessary. Check for tripped circuit breaker or GFCI, and if found, investigate cause, resolve and reset. If problem persists, contact a licensed electrician.
	Power cord damage	Inspect the power cord and motor lead to confirm continuity. Check for cuts or damage. Replace as necessary with a new power cord and motor lead. Never attempt to tape or splice a cable or motor lead.
	Non-functioning motor	There is nothing to repair in the motor. If found to be non-functioning, replace the motor.
Unit runs, but overload at receptacle trips	Incorrect supply voltage	Verify the supply voltage is $\pm 10\%$ of the nameplate rating. If the voltage is incorrect, contact a licensed electrician or your power company.
	Excessive ambient heat near receptacle	Overloads are heat-sensitive and can trip if a receptacle is exposed to an excessive amount of ambient heat. Shade or move the control box away from the heat source.
	Power cord damage	Inspect the power cord and motor lead to confirm continuity. Check for cuts or damage. Replace as necessary with a new power cord and motor lead. Never attempt to tape or splice a cable or motor lead.
Reduced performance of aerator or fountain	Incorrect supply voltage	Verify the supply voltage is $\pm 10\%$ of the nameplate rating. If the voltage is incorrect, contact a licensed electrician or your power company.
	Debris	Debris can clog the inlet and reduce height and diameter of fountain. Refer to Maintenance section for cleaning instructions.
	Worn or broken propeller or impeller	Install new aerator tune-up kit or decorative fountain nozzle adaptor assembly.
Aerator or fountain starts and stops intermittently	Motor is overheated and/or overloaded, tripping the integral thermal protector	Inspect, clean, and remove any build-up on the motor. Clear any debris that is blocking the flow of water across the motor or through the pump head.
		Verify the supply voltage is $\pm 10\%$ of the nameplate rating. If the voltage falls outside this range (high or low), contact a licensed electrician or your power company.
		Verify wiring connections at control box are correct and securely installed.
		Motor may be defective.



# REPLACEMENT PARTS

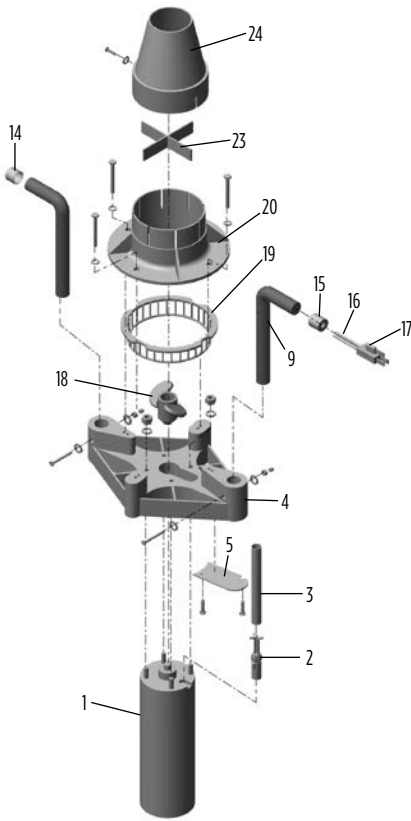
Replacement Parts - Aeration Propeller Unit				
Model	Part Number	Description	Components included in Replacement Kit	Figure Reference
1/2 hp	517317	1/2 hp Aerator Tune-Up Kit	18, 19, 23	12
	517329	Replacement 100' Cord Set w/ Lead and Support Tube	2, 3, 9, 15, 16, 17	12
	517330	Replacement Power Drive Structure, 100' Cord	1, 2, 3, 4, 5, 9, 14, 15, 16, 17	12
1 hp	517337	1 hp Aerator Tune-Up Kit	18, 19, 23	12
	517339	Replacement 150' Cord Set w/ Lead and Support Tube	2, 3, 9, 15, 16, 17	12
	517340	Replacement Power Drive Structure, 150' Cord	1, 2, 3, 4, 5, 9, 14, 15, 16, 17	12
All	517326	Replacement Fountain/Aerator Harmony Nozzle Assembly	19, 20, 23, 24	12
	517328	Replacement Motor Mount Assembly	4, 5	12
	517331	Replacement Float, 36"	N/A	Not Shown

Replacement Parts - Centrifugal Fountain Unit			
Part Number	Description	Components included in Replacement Kit	Figure Reference
517318	1/2 hp Centrifugal Pump Tune-Up Kit	18, 20, 21, 23	13
517338	1 hp Centrifugal Pump Tune-Up Kit	18, 20, 21, 23	13
517327	Replacement Centrifugal Pump Nozzle Adaptor Assembly	28, 29, 31	13

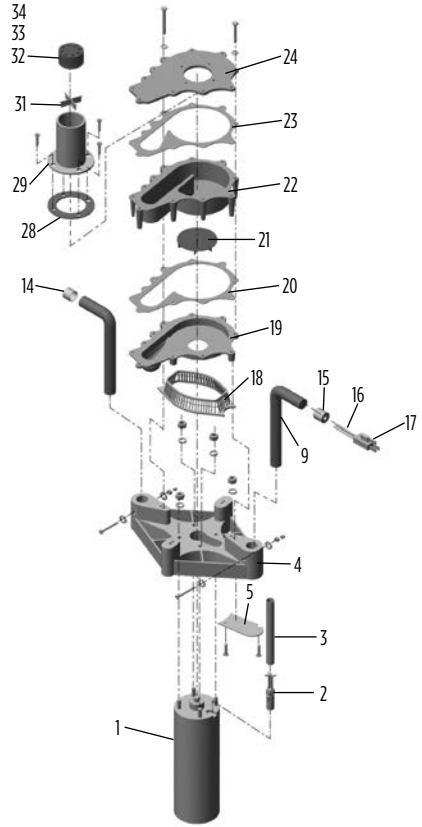
# ACCESSORY PARTS

Accessories - Centrifugal Fountain Unit			
Part Number	Description	Components included in Replacement Kit	Figure Reference
517310	1/2 hp Fountain Pump Head Conversion Kit with 3 Nozzles (no motor)	All items in figure	14
517311	1 hp Fountain Pump Head Conversion Kit with 3 Nozzles (no motor)	All items in figure	14
517319	Sonata Decorative Fountain, Nozzle Assembly	All shown in figure	15
517320	Cantata Decorative Fountain, Nozzle Assembly	All shown in figure	15
517321	Concerto Decorative Fountain, Nozzle Assembly	All shown in figure	15
517322	Staccato Decorative Fountain, Nozzle Assembly	All shown in figure	15
517323	Crescendo Decorative Fountain, Nozzle Assembly	All shown in figure	15

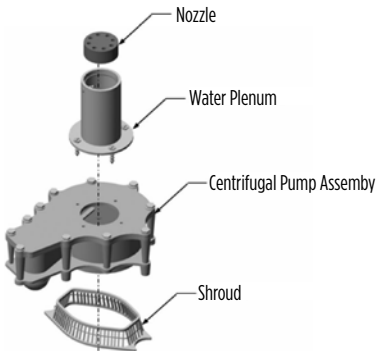
**NOTE:** All replacement and accessories are packaged complete with instructions and all fasteners required for assembly.



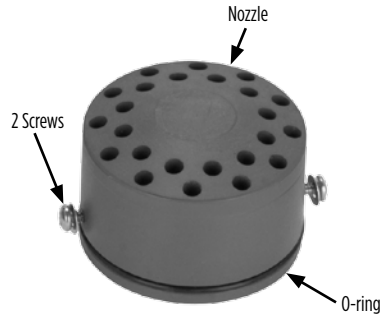
**Figure 12**  
Exploded View – Aeration Pump Assembly



**Figure 13**  
Exploded View – Centrifugal Pump Assembly



**Figure 14**  
Exploded View – Centrifugal  
Pump Head Conversion Kit



**Figure 15**  
Decorative Fountain, Nozzle Assembly  
(Note: Staccato nozzle shown for reference)

# LIMITED WARRANTY

## THIS WARRANTY SETS FORTH THE COMPANY'S SOLE OBLIGATION AND PURCHASER'S EXCLUSIVE REMEDY FOR DEFECTIVE PRODUCT.

Franklin Electric Company, Inc. and its subsidiaries (hereafter "the Company") warrants that the products accompanied by this warranty are free from defects in materials or workmanship of the Company that exist at the time of sale by the Company and which occur or exist within the applicable warranty period. Any distributor, sub-distributor, recipient, end-user and/or consumer agrees that by accepting the receipt of the products, the distributor, sub-distributor, recipient, end user and/or consumer expressly agrees to be bound by the terms of the warranty set forth herein.

### I. Applicable Warranty Period

The products accompanied by this warranty shall be covered by this Limited Warranty for a period of 24 months from the date of original purchase by the consumer. In the absence of suitable proof of purchase date, the warranty period of this product will begin to run on the product's date of manufacture.

### II. Instructions Applicable to this Limited Warranty

1. Consumers wishing to submit a warranty claim must return the products accompanied by this warranty to the point of purchase for warranty consideration.
2. Upon discovery of a defect, any personal injury, property damage or any other type of resulting damage, if applicable, shall be reasonably mitigated to the extent possible.
3. At its discretion, the Company may inspect products either at its facilities, or in the field, and after determination of a warranty claim, will, at its option, repair or replace defective parts. Repaired or replaced parts will be returned freight prepaid by the Company.
4. This warranty policy does not cover any labor or shipping charges. The Company shall not be liable for any costs or charges attributable to any product testing, maintenance, installation, repair or removal, or for any tools, supplies, or equipment needed to install, repair, or remove any product.

### III. Limitations Applicable to this Limited Warranty

#### **THIS WARRANTY DOES NOT APPLY TO ANY OF THE FOLLOWING:**

1. Brushes, impeller or cam on models with brush-type motors and/or flex-vane impellers.
2. Any product that is not installed, applied, maintained and used in accordance with the Company's published instructions, applicable codes, applicable ordinances and/or with generally accepted industry standards.
3. Any product that has been subject to misuse, misapplication, neglect, alteration, accident, abuse, tampering, acts of God (including lightning), acts of terrorism, acts of war, fire, improper storage or installation, improper use, improper maintenance or repair, damage or casualty, or to an excess of the recommended maximums as set forth in the product instructions.
4. Any product that is operated with any accessory, equipment, component, or part not specifically approved by the Company.
5. Use of replacement parts not sold by the Company, the unauthorized addition of non-Company products to other Company products, and the unauthorized alteration of Company products.
6. Products damaged by normal wear and tear, normal maintenance services and the parts used in connection with such service, or any other conditions beyond the control of the Company.
7. Any product that has been used for purposes other than those for which it was designed and manufactured.
8. Any use of the product where installation instructions and/or instructions for use were not followed.
9. Products connected to voltage other than indicated on nameplate.
10. Products where the pump was exposed to any of the following: sand, gravel, cement, grease, plaster, mud, tar, hydrocarbons, hydrocarbon derivatives (oil, gasoline, solvents, etc.) or other abrasive or corrosive substances.
11. Products in which the pump has been used to pump or circulate anything other than fresh water at room temperature.
12. Products in which the pump was allowed to operate dry (fluid supply cut off).
13. Products in which the sealed motor housing has been opened or the product has been otherwise dismantled by customer.
14. Products in which the cord has been cut to a length of less than three feet.

The Company reserves the right at any time, and from time to time, to make changes in the design and/or improvements upon its product without thereby imposing any obligation upon itself to make corresponding changes or improvements in or upon its products already manufactured and/or previously sold. The Company further reserves the right to substitute parts or components of substantially equal quality in any warranty service required by operation of this Limited Warranty.

This written Limited Warranty is the entire warranty authorized and offered by the Company. There are no warranties or representations beyond those expressed in this document.

THIS WARRANTY AND REMEDY IS IN LIEU OF ALL OTHER WARRANTIES AND REMEDIES INCLUDING WITHOUT LIMITATION, WARRANTIES OF MERCHANTABILITY AND/OR FITNESS FOR A PARTICULAR PURPOSE, WHICH ARE HEREBY SPECIFICALLY DISCLAIMED AND EXPRESSLY EXCLUDED. CORRECTION OF NON-CONFORMITIES, IN THE MANNER AND FOR THE PERIOD OF TIME AS SET FORTH ABOVE, SHALL CONSTITUTE FULFILLMENT OF ALL LIABILITY OF THE COMPANY TO THE PURCHASER WHETHER BASED ON CONTRACT, NEGLIGENCE, OR OTHERWISE.

**THE COMPANY SHALL NOT BE LIABLE FOR INCIDENTAL, CONSEQUENTIAL OR SPECIAL DAMAGES SUCH AS, BUT NOT LIMITED TO:**

**DAMAGE TO OR LOSS OF OTHER PROPERTY OR EQUIPMENT, LOSS OF USE OF EQUIPMENT, FACILITIES OR SERVICE, LOSS OF PROFIT OR SALES, COST OF PURCHASES OR REPLACEMENT GOODS, CLAIMS OF CUSTOMERS OF THE PURCHASER, FAILURE TO WARN AND/OR INSTRUCT, LOSS OF OTHER PRODUCTS, OR COSTS OF ENVIRONMENTAL REMEDIATION, OR DIMINUTION IN PROPERTY VALUE. THE REMEDIES OF THE PURCHASER SET FORTH HEREIN ARE EXCLUSIVE, AND THE LIABILITY OF THE COMPANY SHALL NOT, EXCEPT AS EXPRESSLY PROVIDED HEREIN, EXCEED THE PRICE OF THE PRODUCTS UPON WHICH SUCH LIABILITY IS BASED. DAMAGES AS SET FORTH IN THIS PARAGRAPH SHALL BE REASONABLY MITIGATED TO THE EXTENT POSSIBLE. THIS PARAGRAPH SHALL ALSO APPLY TO ALL DAMAGES RESULTING FROM CONDITIONS SET FORTH IN SECTION III ABOVE AND (1) DEFECTS IN PRODUCT PROTOTYPES OR REPLACEMENT PART PROTOTYPES THAT HAVE NOT BEEN PUT INTO PRODUCTION, CIRCULATED AND SOLD BY THE COMPANY, AND/OR (2) DEFECTS THAT WERE NOT FOUND AT THE TIME OF SALE DUE TO SCIENTIFIC AND TECHNOLOGICAL REASONS.**

This Limited Warranty gives you specific legal rights. You may have other rights, which vary according to the applicable laws and regulations. Where any term of this warranty is prohibited by such laws, it shall be null and void, but the remainder of this warranty shall remain in full force and effect.

**DISCLAIMER:** Any oral statements about the product made by the seller, the Company, the representatives or any other parties, do not constitute warranties, shall not be relied upon by the user, and are not part of the contract for sale. Seller's and the Company's only obligation, and buyer's only remedy, shall be the replacement and/or repair by the Company of the product as described above. Before using, the user shall determine the suitability of the product for his intended use, and user assumes all risk and liability whatsoever in connection therewith.

---

For technical assistance, please contact. . . . . 800.701.7894

[www.littlegiant.com](http://www.littlegiant.com)  
[lgnet@fele.com](mailto:lgnet@fele.com)

---

**LittleGIANT®**

Franklin Electric Co., Inc.  
Oklahoma City, OK 73157-2010  
Phone: 1.800.701.7894  
Fax: 1.405.228.1561



Form 998918  
Rev. 001  
09/17

**LittleGIANT®**


**BOMBA DE OXIGENACIÓN  
FLOTANTE Y BOMBA  
CENTRÍFUGA FLOTANTE  
PARA FUENTES**


**Manual del usuario**





# ANTES DE EMPEZAR


Lea y siga las instrucciones de seguridad. Vea las placas de datos del producto para obtener instrucciones de operación y especificaciones adicionales.

Este es el símbolo de alerta de seguridad. Cuando vea este símbolo  en la bomba o en este manual, busque alguna de las siguientes palabras de señalización y esté alerta a la posibilidad de lesiones o daños a la propiedad si se ignoran:

** PELIGRO** Este símbolo advierte sobre peligros que ocasionarán lesiones graves, muerte o daños importantes a la propiedad si son ignorados.

** ADVERTENCIA** Este símbolo advierte sobre peligros que pueden ocasionar lesiones graves, muerte o daños importantes a la propiedad si son ignorados.

** PRECAUCIÓN** Este símbolo advierte sobre peligros que ocasionarán o podrán ocasionar lesiones menores o daños mayores a la propiedad si son ignorados.

** AVISO** Este símbolo indica instrucciones especiales que son importantes pero que no están asociadas a peligros. Lea detenidamente y cumpla todas las instrucciones de seguridad que aparecen en este manual y en la bomba.



**⚠ PELIGRO** No use el equipo para bombear fluidos inflamables o explosivos, como gasolina, aceite combustible, kerosene, etc. No use el equipo en atmósferas explosivas ni en lugares peligrosos, tal como se establece en NEC, ANSI/NFPA 70. El incumplimiento de esta advertencia provocará daños a la propiedad, lesiones o la muerte. No manipule una bomba ni el motor de una bomba con las manos mojadas o parado sobre una superficie mojada, húmeda o sobre agua. El incumplimiento de esta advertencia puede provocar descargas eléctricas letales. El producto sólo debe usarse con líquidos compatibles con los materiales que lo componen.

## **⚠ ADVERTENCIA**

- **RIESGO DE DESCARGA ELÉCTRICA** - Este producto viene con un conductor a tierra o un enchufe con conexión a tierra. Para reducir el riesgo de descarga eléctrica, asegúrese de que esté conectado a un receptáculo con conexión a tierra que esté conectado apropiadamente a tierra. Desconecte la alimentación eléctrica antes de trabajar en el producto o cerca de este.
- Este equipo debe ser instalado por personal técnicamente calificado. Al instalar esta unidad, asegúrese de cumplir con las regulaciones nacionales y locales de electricidad y plomería, así como con el National Electrical Code (NEC) y la Ley de Seguridad y Salud Ocupacionales (OSHA). Si la bomba se instala en contravención de las regulaciones locales y nacionales de electricidad y plomería, y las recomendaciones de Franklin Electric, podrían producirse descargas eléctricas, riesgos de incendio, un rendimiento insatisfactorio o fallas del equipo. Puede pedir información sobre la instalación a los fabricantes o distribuidores de bombas, o directamente a Franklin Electric, llamando a nuestra línea gratuita al 888.956.0000.
- Para reducir el riesgo de descargas eléctricas que podrían provocar lesiones, muerte o daños importantes a la propiedad, asegúrese de que este producto esté conectado a un circuito equipado con un dispositivo interruptor de circuito por falla de conexión a tierra (GFCI). Cumpla con todas las regulaciones nacionales y locales de electricidad y plomería cuando instale esta unidad. No use un cable de extensión.
- Asegúrese de que la unidad esté desconectada de la fuente de alimentación antes de intentar realizar mantenimiento o quitar cualquier componente. Si el interruptor de alimentación no está a la vista, bloquéelo en posición abierta y etiquételo para evitar una aplicación imprevista de alimentación eléctrica.
- Posible peligro de corte. Cuando la hélice gira puede causar lesiones graves. Apague y bloquee la alimentación eléctrica antes de instalar o realizarle mantenimiento al producto.
- No se ha investigado este producto para su uso en piscinas o áreas marinas.
- Antes de realizarle mantenimiento o intentar instalar o reparar la unidad o el flotador en un cuerpo de agua, se debe usar un chaleco salvavidas (PFD) tipo I, II o III aprobado por el Servicio de Guardacostas de los Estados Unidos.
- El flotador que viene con este producto no se investigó para su uso como dispositivo de flotación personal.
- Intentar instalar o reparar el equipo desde una plataforma de trabajo inestable puede causar lesiones o la muerte.
- El motor de la bomba tiene un protector térmico con reajuste automático y puede reiniciarse en cualquier momento. El disparo del protector indica la sobrecarga o el recalentamiento del motor. Consulte la sección **Solución de problemas** para obtener más información.

## **⚠ PRECAUCIÓN**

- No opere este equipo fuera del agua.
- Mantenga las etiquetas de seguridad limpias y en buenas condiciones.
- Use gafas de seguridad cuando instale o haga el mantenimiento del producto.
- Asegúrese de que toda la **ALIMENTACIÓN ELÉCTRICA ESTÉ APAGADA** antes de conectar cualquier cable eléctrico. Siga todas las instrucciones de cableado del producto que aparecen en la sección **Conexiones eléctricas** de este manual.
- Esta bomba ha sido evaluada para uso con agua solamente.

## **⚠ AVISO**

- No deben usar este equipo los niños o las personas con capacidades físicas, sensoriales o mentales reducidas o las personas sin experiencia, a menos que estén supervisados o se les den instrucciones. Los niños no deben usar ni jugar con el equipo o en sus cercanías.
- Inspeccione periódicamente los componentes del sistema y la unidad. Programe y realice el mantenimiento de rutina, tal como se indica en la sección **Mantenimiento del sistema**.

# INTRODUCCIÓN

Esta hoja de instrucciones le proporciona la información necesaria para poseer y operar el producto Little Giant® de manera segura. Conserve estas instrucciones para consultarlas en el futuro. El producto Little Giant que compró tiene una mano de obra y materiales de la más alta calidad y se diseñó para ofrecerle un servicio confiable y duradero. Los productos Little Giant pasan por un proceso exhaustivo de pruebas, inspección y embalaje para garantizar una entrega y un funcionamiento seguros. Examine el producto cuidadosamente para garantizar que no haya sufrido daños durante el envío. Si ha sufrido daños, comuníquese con el lugar donde lo compró. Recibirá ayuda para efectuar reemplazos o reparaciones, en caso de ser necesario.



Si tiene problemas o faltan piezas, llame a la línea de asistencia técnica de Little Giant al 888.956.0000 antes de devolver este producto al lugar donde lo compró. El personal de asistencia técnica lo ayudará a solucionar los problemas por teléfono y le indicará el mejor procedimiento por seguir.

**⚠ ADVERTENCIA** LEA ESTAS INSTRUCCIONES ATENTAMENTE ANTES DE INTENTAR INSTALAR, OPERAR O REPARAR EL PRODUCTO LITTLE GIANT. CONOZCA LAS APLICACIONES, LAS LIMITACIONES Y LOS POSIBLES PELIGROS DEL PRODUCTO. LEA TODA LA INFORMACIÓN DE SEGURIDAD A FIN DE PROTEGERSE Y PROTEGER A LOS DEMÁS. EL INCUMPLIMIENTO DE ESTAS INSTRUCCIONES PUEDE PROVOCAR LESIONES O DAÑOS A LA PROPIEDAD.

## Descripción

El producto que se describe en este documento se puede configurar de dos formas según su montaje: como bomba de oxigenación flotante o como bomba centrífuga flotante para fuentes, cada una con una función diferente. Como bomba de oxigenación, hace circular agua oxigenada por ornamentos como estanques, lagos y jardines acuáticos. Como bomba centrífuga para fuentes, produce una variedad de atractivos estilos de fuente.



# ESPECIFICACIONES

Las especificaciones para las dos configuraciones que puede tener este producto según su montaje se mencionan por separado.

## UNIDAD DE OXIGENACIÓN - CABEZAL DE LA BOMBA DE HÉLICE

Modelo	N.º de artículo	Voltios/frec.	Amperios	Amperaje de fusible o disyuntor	Longitud del cable (metros/pies)	Profundidad de operación mínima (centímetros/pulgadas)	GPM	Altura promedio de la fuente (metros/pies)	Ancho promedio de la fuente (metros/pies)
APA-05-HAR	517300	115/60	12	15A	100	18	350	4	10
APA-10-HAR	517301	230/60	10,8	15A	150	18	800	6	16

## FUENTE - CABEZAL DE LA BOMBA CENTRÍFUGA

Modelo	N.º de artículo	Voltios/Freq.	Amperaje de fusible o disyuntor	Longitud del cable (metros/pies)	Profundidad de operación mínima (centímetros/pulgadas)	Nozzle Type	Amperios	Watts	Altura promedio de la fuente (metros/pies)	Ancho promedio de la fuente (metros/pies)
FPA-05-K01	517310	115/60	15A	100	18	Sonata	10,9	960	4 (14)	9 (28)
						Cantata	11,0	995	4 (13)	5 (18)
						Concerto	11,8	1100	5 (15)	9 (30)
FPA-10-K01	517311	230/60	15A	150	18	Sonata	10,10	1923	16	32
						Cantata	10,4	1991	20	20
						Concerto	9,7	1800	30	50

## FUENTE - TIPOS DE BOQUILLAS OPCIONALES DISPONIBLES

Tipo de boquilla	N.º de artículo	HP	Amperios	Watts	Altura promedio de la fuente (metros/pies)	Ancho promedio de la fuente (metros/pies)
Staccato	517322	1/2	11,6	1062	2 (8)	4 (14)
		1	10,5	2022	14	18
Crescendo	517323	1/2	11,4	1020	4 (13)	-
		1	10,2	1960	25	-

## MOTOR

Capacidad				Carga máxima amperios	Resistencia de devanado en ohmios	Amperaje de rotor bloqueado
HP	Voltios	Hz	S.F			
1/2	115	60	1,6	12	1,0 - 1,3	64,4
1	230	60	1,4	10,8	2,2 - 2,7	48,7

# INSTALACIÓN – MONTAJE DE LA BOMBA DE OXIGENACIÓN (Modelo APA-XX-HAR)



**ADVERTENCIA** Este equipo debe ser instalado por personal técnicamente calificado. Al instalar esta unidad, asegúrese de cumplir con las regulaciones nacionales y locales de electricidad y plomería, así como con el National Electrical Code (NEC) y la Ley de Seguridad y Salud Ocupacionales (OSHA). Si la bomba no se instala según las regulaciones locales y nacionales de electricidad y plomería, y las recomendaciones de Franklin Electric, esto podría resultar en descargas eléctricas, riesgos de incendio, rendimiento insatisfactorio o fallas del equipo. Puede pedir información sobre la instalación a los fabricantes o distribuidores de bombas, o directamente a Franklin Electric, llamando a nuestra línea gratuita al 888.956.0000.

**PELIGRO** No use el equipo para bombear fluidos inflamables o explosivos, como gasolina, aceite combustible, kerosene, etc. No use el equipo en atmósferas explosivas ni en lugares peligrosos, tal como se establece en NEC, ANSI/NFPA 70. El incumplimiento de esta advertencia puede provocar daños a la propiedad, lesiones o la muerte. No manipule una bomba ni el motor de una bomba con las manos mojadas o parado sobre una superficie mojada, húmeda o sobre agua. El incumplimiento de esta advertencia puede provocar descargas eléctricas letales. El producto sólo debe usarse con líquidos compatibles con los materiales que lo componen.

**ADVERTENCIA** No se ha investigado este producto para su uso en piscinas o áreas marinas.

**ADVERTENCIA RIESGO DE DESCARGA ELÉCTRICA** – Asegúrese de que la unidad esté desconectada de la fuente de alimentación antes de realizarle mantenimiento o de intentar instalar o quitar cualquier componente. Si el interruptor de alimentación no está a la vista, bloquéelo en posición abierta y etiquételo para evitar una aplicación imprevista de alimentación eléctrica.

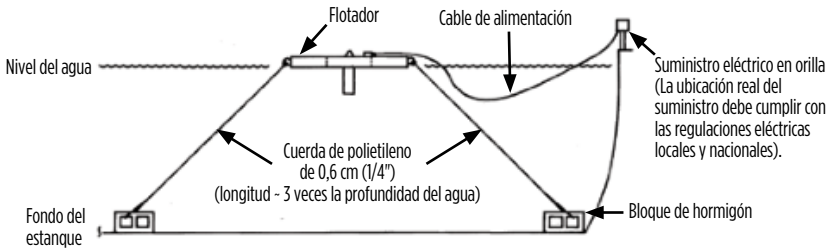
## Paso 1 Desembale la bomba con cuidado.

- a) Conserve el embalaje para guardar el producto en invierno o en caso de tener que devolverlo para la garantía.

## Paso 2 Ubicación de la unidad.

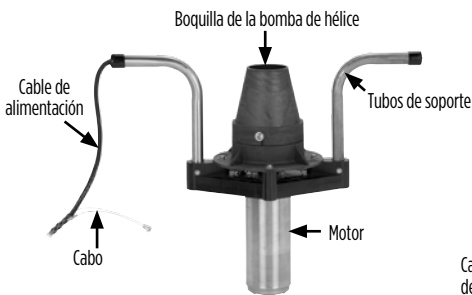
- a) **NOTA:** Si no desea anclar la unidad al fondo del estanque, puede amarrarla a la orilla.
- b) Prepare el flotador para anclarlo/amarrarlo.
  - i. Corte dos tiras de 0,6 cm (1/4") de cuerda de polietileno. Si va a anclarlo al fondo del estanque, deje aproximadamente 0,9 m (3 ft) de cuerda por cada 0,3 m (1 ft) de profundidad del agua (Figura 1). Si va a amarrarlo a la orilla, asegúrese de que haya suficiente cuerda desde la ubicación prevista del flotador en la superficie del estanque hasta una ubicación de amarre segura en la orilla.
  - ii. Deben usarse al menos dos cuerdas de anclaje/amarre atadas a dos esquinas opuestas del flotador (Figura 3). Pase un extremo de la cuerda por uno de los orificios de anclaje/amarre del flotador y átele de manera segura. Haga lo mismo en la esquina diagonal opuesta. Se necesitan solo dos esquinas opuestas para asegurar a la mayoría de las aplicaciones (Figura 1). Sin embargo, si la aplicación está expuesta a vientos fuertes, anclar/amarrar tres o más esquinas del flotador puede reducir el desplazamiento de la unidad.
  - iii. Normalmente se usan dos bloques huecos de hormigón de 20 cm x 20 cm x 41 cm (8" x 8" x 16") (uno en cada esquina diagonal opuesta) como contrapeso para anclar la unidad. Este tipo de anclaje se entierra en el lodo o el fondo del lago.
  - iv. Ate el otro extremo de la cuerda a un bloque de hormigón de manera segura, y haga lo mismo con la otra cuerda.

- c) Ubique el flotador donde desee en el estanque.
- Si va a anclar el flotador al fondo del estanque, coloque un bloque de anclaje en el fondo del estanque, ubique el flotador donde desee y coloque el otro bloque de anclaje en el fondo del estanque, cada uno orientado de manera que las cuerdas formen un ángulo con el flotador como vértice (Figura 1).
  - Si va a amarrar el flotador a la orilla, ubique el flotador donde desee y ate las cuerdas de amarre a un anclaje seguro en orillas opuestas.

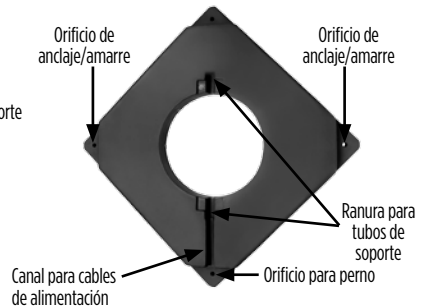


**Figura 1**

- d) Instale el conjunto de bomba de oxigenación/motor en el flotador. No se necesitan accesorios ni herramientas de montaje.
- Pase el extremo del motor por el orificio en el centro del flotador hasta sumergirlo en el agua.
  - Gire el conjunto de bomba/motor de manera que el cable de alimentación esté paralelo al canal para cables de alimentación del flotador (Figuras 2 y 3).
  - Siga bajando el conjunto hasta que cada tubo de soporte encaje en su ranura correspondiente en el flotador.
  - Introduzca el cable de alimentación a lo largo del canal del flotador hasta que salga del flotador y se sumerja en el agua.
  - Conecte el cabo al perno del flotador (Figuras 2 y 3).



**Figura 2**



**Figura 3**

### **Paso 3** Avance a la sección **Conexiones eléctricas.**

# CONEXIONES ELÉCTRICAS



**⚠️ ADVERTENCIA** Este equipo debe ser instalado por personal técnicamente calificado. Al instalar esta unidad, asegúrese de cumplir con las regulaciones nacionales y locales de electricidad y plomería, así como con el National Electrical Code (NEC) y la Ley de Seguridad y Salud Ocupacionales (OSHA). Si la bomba no se instala según las regulaciones locales y nacionales de electricidad y plomería, y las recomendaciones de Franklin Electric, esto podría resultar en descargas eléctricas, riesgos de incendio, rendimiento insatisfactorio o fallas del equipo. Puede pedir información sobre la instalación a los fabricantes o distribuidores de bombas, o directamente a Franklin Electric, llamando a nuestra línea gratuita al 888.956.0000.

**⚠️ AVISO** La instalación del circuito de alimentación eléctrica de la unidad debe ser realizada por un técnico electricista titulado, de acuerdo con las regulaciones locales y nacionales.

**⚠️ ADVERTENCIA RIESGO DE DESCARGA ELÉCTRICA** - Asegúrese de que la unidad esté desconectada de la fuente de alimentación antes de realizarle mantenimiento o de intentar instalar o quitar cualquier componente. Si el interruptor de alimentación no está a la vista, bloquéelo en posición abierta y etiquételo para evitar una aplicación imprevista de alimentación eléctrica.

**⚠️ ADVERTENCIA** Para reducir el riesgo de descargas eléctricas que podrían provocar lesiones, muerte o daños importantes a la propiedad, asegúrese de que este producto esté conectado a un circuito equipado con un dispositivo interruptor de circuito por falla de conexión a tierra (GFCI). Cumpla con todas las regulaciones nacionales y locales de electricidad y plomería cuando instale esta unidad. No use un cable de extensión.

## Paso 1 Cableado de la unidad

**⚠️ ADVERTENCIA RIESGO DE DESCARGA ELÉCTRICA** - Este producto viene con un conductor a tierra o un enchufe con conexión a tierra. Para reducir el riesgo de descarga eléctrica, asegúrese de que esté conectado a un receptáculo con conexión a tierra que esté conectado apropiadamente a tierra. Desconecte la alimentación eléctrica antes de trabajar en el producto o cerca de este.

### a) **⚠️ PRECAUCIÓN**

La bomba no tiene un interruptor de encendido/apagado. La bomba se pondrá en funcionamiento de manera inmediata y constante una vez conectada a la alimentación eléctrica correspondiente.

### b) **⚠️ ADVERTENCIA**

Posible peligro de corte. Cuando la hélice gira puede causar lesiones graves.

c) Para proteger el producto de ambientes húmedos, conecte el cable de alimentación sólo a un receptáculo para exteriores (con cubierta) que cumpla con todas las regulaciones locales, estatales y nacionales correspondientes.

d) Asegure (es decir, proteja contra los tirones) al cable de alimentación al poste de suministro eléctrico de manera que cumpla con las regulaciones locales y nacionales de electricidad y plomería, y con el National Electrical Code (NEC).

e) Voltaje de la línea:

i. Consulte el voltaje apropiado requerido en la placa de identificación del producto. No lo conecte a un voltaje distinto al que figura en la placa de identificación del producto.

ii. Conecte el cable de alimentación al voltaje de línea que figura en el motor y en la placa de identificación.

iii. Si la aplicación exige que el cable de alimentación esté instalado de manera permanente, los cables son los siguientes:  
Verde (o verde/amarillo): de conexión a tierra. Negro (o marrón): de línea. Blanco (o azul): neutro.

f) Un cable de alimentación desprotegido, que vaya del borde del agua al receptáculo, será más susceptible al deterioro. Se recomienda proteger al cable dentro de un conducto que cumpla con todas las regulaciones locales, estatales y nacionales.

**Paso 2** El producto está listo para las pruebas de operación del sistema. Avance a la sección **Pruebas de operación.**

# PRUEBAS DE OPERACIÓN DEL SISTEMA

**⚠ ADVERTENCIA RIESGO DE DESCARGA ELÉCTRICA:** Asegúrese de que la unidad esté desconectada de la fuente de alimentación antes de realizarle mantenimiento o de intentar instalar o quitar cualquier componente. Si el interruptor de alimentación no está a la vista, bloquéelo en posición abierta y etiquételo para evitar una aplicación imprevista de alimentación eléctrica.

**Paso 1** Asegúrese de que no haya personas en el agua.

**Paso 2** Verifique que todo el cableado se haya realizado de acuerdo con las instrucciones y que la bomba esté conectada a la alimentación eléctrica.

**Paso 3** Restablezca la alimentación eléctrica.

- a) Retire el dispositivo de bloqueo en la fuente de alimentación.
- b) Encienda la alimentación eléctrica de la bomba en la caja de fusibles.
- c) Conecte el cable de alimentación directamente al receptáculo para exteriores con conexión a tierra.

**Paso 4** Verifique que la bomba se encienda y empiece a bombear agua.

- a) Desconecte el cable de alimentación del suministro eléctrico si tiene que apagar la bomba.

**Paso 5** El producto debería estar listo para su uso. Si el producto no funciona correctamente, consulte la sección **Solución de problemas**.

# INSTALACIÓN – SOLO CON EL JUEGO DE CONVERSIÓN DE CABEZAL DE BOMBA CENTRÍFUGA PARA FUENTES (Modelo FPA-XX-K01)



## Descripción

Las siguientes instrucciones lo guiarán para convertir la bomba de oxigenación en una bomba centrífuga para fuentes. Se asume que usted ya tiene la bomba de oxigenación (modelo APA-XX-HAR) en funcionamiento y que compró el juego de conversión de bomba centrífuga para fuentes (modelo FPA-XX-K01). Una vez convertida, la bomba para fuentes producirá varios atractivos estilos de fuente, pero la oxigenación del agua será mínima. Sin embargo, la unidad siempre puede volver a convertirse en un cabezal de bomba de oxigenación, si lo desea.

## Proceso de conversión

Para ver un video en el que se describen estos pasos, visite nuestro sitio web [www.lg-outdoor.com](http://www.lg-outdoor.com) y haga clic en el enlace de YouTube. O escanee con su teléfono el código QR de arriba para visitar nuestro canal de YouTube.

**⚠ ADVERTENCIA RIESGO DE DESCARGA ELÉCTRICA** – Asegúrese de que la unidad esté desconectada de la fuente de alimentación antes de realizarle mantenimiento o de intentar instalar o quitar cualquier componente. Si el interruptor de alimentación no está a la vista, bloquéelo en posición abierta y etiquételo para evitar una aplicación imprevista de alimentación eléctrica.

**Paso 1** Asegúrese de que no haya personas en el agua.

**Paso 2** Desconecte la alimentación eléctrica.

- Apague la alimentación eléctrica de la bomba en la caja de fusibles.
- Instale el dispositivo de bloqueo en la fuente de alimentación.
- Desconecte el cable de alimentación del receptáculo para exteriores con conexión a tierra.

**Paso 3** Retire el conjunto de bomba de oxigenación/motor de la aplicación actual.

- Desconecte el cabo para retirar el cable de alimentación del flotador (Figura 2).
- Levante verticalmente el conjunto de bomba de oxigenación/motor y retírelo del flotador.
- Lleve el conjunto de bomba de oxigenación/motor a la orilla para configurarlo como fuente decorativa. Deje el flotador anclado/amarrado en el agua.

**Paso 4** Retire el cabezal de la bomba de oxigenación del motor.

- Coloque la fuente en posición vertical y apoye el motor en una superficie estable.

**⚠ PRECAUCIÓN** No permita que la unidad se caiga, ya que puede dañarse.

- Retire los cuatro pernos indicados que aseguran la placa de la boquilla al soporte del motor. Limpie y guarde esos componentes (Figura 4).
- Retire la hélice del eje tirando hacia arriba como indica la flecha. No ejerza demasiada fuerza o podrían producirse daños (Figura 5).

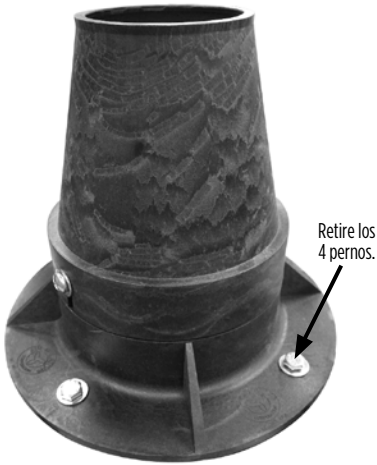


Figura 4

Levante la hélice para retirarla del eje.  
NO EJERZA demasiada fuerza.

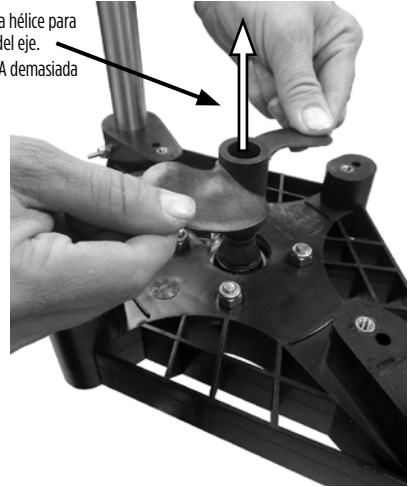


Figura 5

## Paso 5 Instale el cabezal de la bomba centrífuga para fuentes en el motor.

- Coloque la cubierta del impulsor sobre el soporte del motor, como se muestra. No se necesitan sujetadores (Figura 6).
- Alinee las ranuras del impulsor con las del eje del motor (Figuras 6 y 7) y presione toda la unidad sobre el eje del motor (luego de la activación, el impulsor se asentará en la posición correcta sobre el eje del motor) (Figura 8).
- Gire el cabezal de la bomba levemente para alinear cuatro pernos de  $\frac{1}{4}$ -20 x 3-3/4" con los orificios en el soporte del motor. Ajuste los cuatro pernos de manera alterna, aplicando a cada uno un par de torsión de 6 Nm (50 in-lb) (Figura 8).
- Instale la cámara de agua y la junta de la boquilla sobre el cabezal de la bomba. Asegure con cuatro pernos de  $\frac{1}{4}$ -20 x  $\frac{1}{2}$ " de manera alterna, aplicando a cada uno un par de torsión de 6 Nm (50 in-lb) (Figura 9).
- Elija la boquilla con el estilo de fuente que desee e instálela dentro de la cámara de agua (Figura 10).
- Asegure la boquilla con los dos tornillos de 10-24 x  $\frac{1}{2}$ " proporcionados. Ajuste con el destornillador hasta sentirla firme.

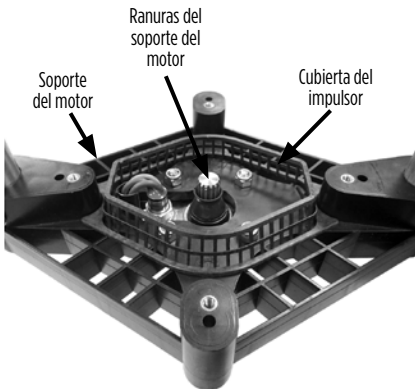


Figura 6

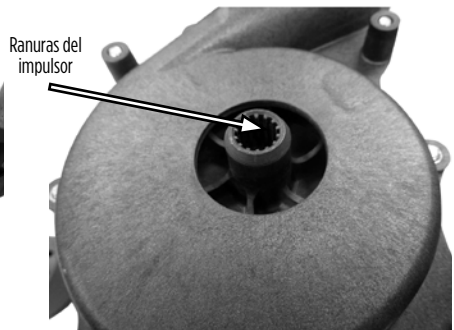
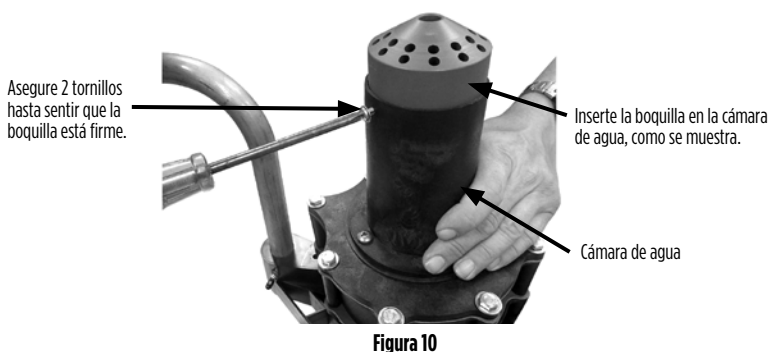
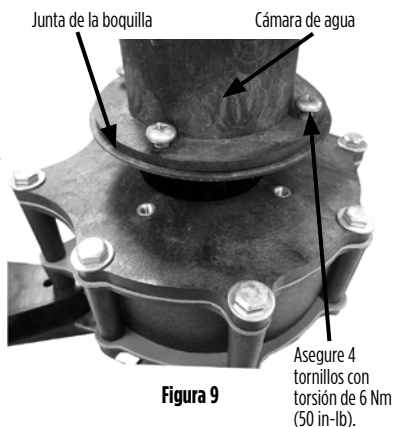
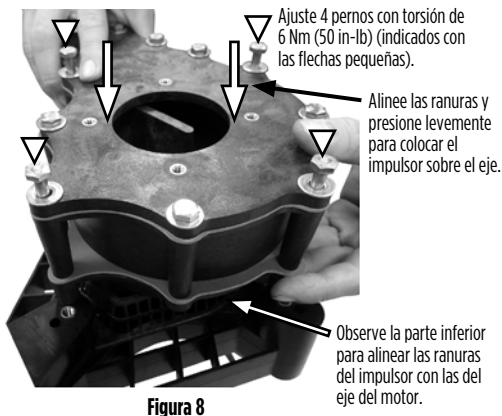


Figura 7



## Paso 6 Instale el conjunto de cabezal para fuentes/motor en el flotador.

- Pase el extremo del motor por el orificio en el centro del flotador hasta sumergirlo en el agua.
- Gire el conjunto de bomba/motor de manera que el cable de alimentación esté paralelo al canal para cables de alimentación del flotador (Figuras 2 y 3).
- Siga bajando el conjunto hasta que cada tubo de soporte encaje en su ranura correspondiente en el flotador.
- Introduzca el cable de alimentación a lo largo del canal del flotador hasta que salga del flotador y se sumerja en el agua.
- Conecte el cabo al perno del flotador (Figuras 2 y 3).

## Paso 7 Restablezca la alimentación eléctrica.

- Asegúrese de que no haya personas en el agua.
- Retire el dispositivo de bloqueo en la fuente de alimentación eléctrica.
- Encienda la alimentación de la bomba en la caja de fusibles.
- Conecte el cable de alimentación directamente al receptáculo para exteriores con conexión a tierra.
- Verifique que la bomba se encienda y empiece a bombear agua.
- Desconecte el cable de alimentación del suministro eléctrico si tiene que apagar la bomba.
- El producto debería estar listo para su uso. Si el producto no funciona correctamente, consulte la sección **Solución de problemas**.



# MANTENIMIENTO DEL SISTEMA



**⚠️ ADVERTENCIA RIESGO DE DESCARGA ELÉCTRICA** - Asegúrese de que la unidad esté desconectada de la fuente de alimentación antes de realizarle mantenimiento o de intentar instalar o quitar cualquier componente. Si el interruptor de alimentación no está a la vista, bloquéelo en posición abierta y etiquételo para evitar una aplicación imprevista de alimentación eléctrica.

Inspeccione el estado del sistema y compruebe su funcionamiento cada 6 meses (con más frecuencia en aplicaciones de uso intensivo).

Inspeccione visual y periódicamente a lo largo de todo el cable de alimentación para garantizar que no haya abrasión, cortes ni rasguños que podrían representar un riesgo de descarga eléctrica.

Siga el procedimiento a continuación para que el conjunto de cabezal de bomba/motor tenga una larga vida útil:

**Paso 1** Asegúrese de que no haya personas en el agua.

**Paso 2** Desconecte la alimentación eléctrica.

- Apague la alimentación eléctrica de la bomba en la caja de fusibles.
- Instale el dispositivo de bloqueo en la fuente de alimentación.
- Desconecte el cable de alimentación del receptáculo para exteriores con conexión a tierra.

**Paso 3** Levante y retire el conjunto de bomba/motor del flotador y lleve la unidad a la orilla.

- Desconecte el cabo para retirar el cable de alimentación del flotador (Figura 2).
- Levante verticalmente el conjunto de bomba/motor y retírelo del flotador.
- Lleve el conjunto de bomba/motor a la orilla para hacerle el mantenimiento. Deje el flotador anclado/amarrado en el agua.

**Paso 4** Inspeccione, limpie y retire los residuos acumulados en el motor (que se muestra en la Figura 2).

- Retire todos los residuos acumulados en el motor. El motor está lubricado con agua y se enfría con el agua que circula por la superficie externa del motor (no hay circulación de agua dentro del motor), así que para prolongar la vida útil del motor, es importante mantener esta superficie limpia.
- El motor está sellado. **NO ES NECESARIO HACER UN MANTENIMIENTO DEL SELLO O DEL FLUIDO.**
- Dentro del motor no hay piezas que pueda reparar el usuario. **NO USE EL MOTOR INDEBIDAMENTE NI LO DESMONTE. DICHO USO QUEDARÁ EN EVIDENCIA E INVALIDARÁ LA GARANTÍA.**

**Paso 5** Inspeccione, limpie y retire los residuos acumulados en el **cabezal de la bomba de oxigenación** (Figuras 4 y 5).

- La boquilla de la bomba de hélice (Figura 2) está sujeta con dos tornillos. Afloje los tornillos solo lo suficiente como para girar la boquilla hacia la izquierda y deslizarla fuera del cuello.
- Ahora puede acceder al enderezador de flujo y la hélice para retirar todos los residuos.
- Vuelva a instalar la boquilla siguiendo el procedimiento inverso y aplique a los tornillos un par de torsión de 6 Nm (50 in-lb).
- Inspeccione visualmente la hélice al menos DOS veces por año para garantizar que no haya desgaste.
- Reemplace la hélice si se desgastó, ya que esto podría causar fallas prematuras del motor. Consulte la sección **Piezas de reemplazo.**

## **Paso 6** Inspeccione, limpie y retire los residuos acumulados en el **cabezal de la bomba centrífuga** (Figura 10).

- a) Retire la boquilla para fuentes de la cámara de agua y límpiela.
- b) Retire la cámara de agua de la parte superior de la bomba y limpie todos los residuos.
- c) Si observa residuos dentro del cabezal de la bomba, haga lo siguiente:
  - a. Afloje los cuatro pernos que sujetan el cabezal de la bomba al soporte del motor (Figura 8).
    - i. Retire los pernos que sujetan la bomba.
    - ii. Desmonte el cabezal de la bomba (3 piezas) y limpie todos los residuos.
    - iii. Reemplace el impulsor si se desgastó, ya que esto podría causar fallas prematuras del motor. Consulte la sección **Piezas de reemplazo**.
  - b. Vuelva a instalar los componentes del cabezal de la bomba centrífuga siguiendo los pasos detallados en el Paso 5 en la sección **Instalación: Juego de conversión de cabezal de bomba centrífuga para fuentes**. Ajuste todos los pernos con torsión de 6 Nm (50 in-lb).
  - c. Inspeccione visualmente el impulsor al menos una vez por año para garantizar que no haya desgaste.

## **Paso 7** Reemplace el conjunto de bomba/motor en el flotador.

- a) Vuelva a colocar el conjunto de bomba/motor en el flotador.
- b) Pase el extremo del motor por el orificio en el centro del flotador hasta sumergirlo en el agua.
- c) Gire el conjunto de bomba/motor de manera que el cable de alimentación esté paralelo al canal para cables de alimentación del flotador (Figuras 2 y 3).
- d) Siga bajando el conjunto hasta que cada tubo de soporte encaje en su ranura correspondiente en el flotador.
- e) Introduzca el cable de alimentación a lo largo del canal del flotador hasta que salga del flotador y se sumerja en el agua.
- f) Conecte el cabo al perno del flotador (Figuras 2 y 3).

## **Paso 8** Restablezca la alimentación eléctrica.

- a) Asegúrese de que no haya personas en el agua.
- b) Retire el dispositivo de bloqueo en la fuente de alimentación eléctrica.
- c) Encienda la alimentación de la bomba en la caja de fusibles.
- d) Conecte el cable de alimentación directamente al receptáculo para exteriores con conexión a tierra.
- e) Verifique que la bomba se encienda y empiece a bombear agua.
- f) Desconecte el cable de alimentación del suministro eléctrico si tiene que apagar la bomba.

## **Paso 9** Compruebe el funcionamiento del sistema.

- a) Compruebe el funcionamiento del sistema siguiendo las instrucciones detalladas en la sección **Pruebas de operación del sistema** de este manual.
- b) El producto debería estar listo para su uso. Si el producto no funciona correctamente, consulte la sección **Solución de problemas**.

# TRATAMIENTO DE RESIDUOS

Algunos estanques o lagos presentan dificultades para la bomba debido a los residuos. Estos pueden entrar en el área de la hélice y reducir rápidamente el rendimiento de la fuente. En estos casos, se puede construir una barrera para residuos a fin de reducir al mínimo la obstrucción de la hélice, aunque no es una garantía.

Para construir una barrera para residuos casera, se pueden usar mallas de plástico o de metal no corrosivo. La barrera debe instalarse alrededor del perímetro del diámetro interno del flotador (Figura 11). Para mayor facilidad, se moldearon (8) inserciones de latón de ¼"-20 en el perímetro del diámetro interno del flotador. Es importante mantener la barrera lejos del flujo de agua que circula alrededor del motor. Colocar la barrera de manera que interrumpa el flujo de agua alrededor del motor afectará considerablemente la capacidad de enfriamiento del motor, sobre todo cuando los residuos obstruyen la barrera, lo que reducirá la vida útil de la unidad.

Una vez instalada la barrera para residuos, deberá limpiarla con frecuencia para retirar los residuos y mantener un buen flujo de agua alrededor del motor. Si esto no se hace, se reducirá el rendimiento o podría dañarse la unidad. Recuerde que la barrera no es un dispositivo de seguridad, y adviértaselo a otros trabajadores.

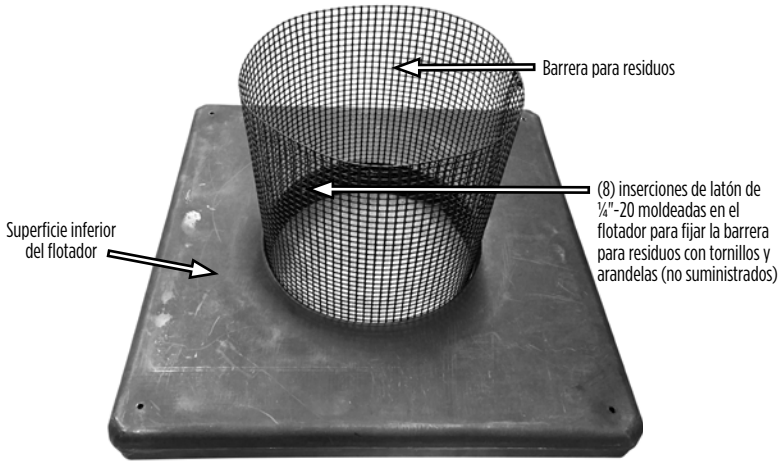


Figura 11

# ALMACENAMIENTO

Coloque la unidad en posición vertical y no la exponga a temperaturas inferiores a -29 °C (-20 °F) o superiores a 49 °C (120 °F). La mejor forma de almacenar la unidad es en el estanque o lago, siempre y cuando evite que se congele. Puede usar el embalaje original para transportar y proteger la unidad mientras está almacenada.

# SOLUCIÓN DE PROBLEMAS

Si tiene problemas para operar el producto, llame a la línea de asistencia técnica de Little Giant al 888.956.0000 para recibir ayuda. El personal de asistencia técnica lo ayudará a solucionar los problemas por teléfono y le indicará el mejor procedimiento por seguir.

**⚠️ ADVERTENCIA RIESGO DE DESCARGA ELÉCTRICA** - Asegúrese de que la unidad esté desconectada de la fuente de alimentación antes de realizarle mantenimiento o de intentar instalar o quitar cualquier componente. Si el interruptor de alimentación no está a la vista, bloquéelo en posición abierta y etiquételo para evitar una aplicación imprevista de alimentación eléctrica.

PROBLEMA	CAUSAS PROBABLES	ACCIÓN CORRECTIVA
El motor no arranca	Voltaje de alimentación incorrecto	Verifique que el voltaje de alimentación sea $\pm 10\%$ de la capacidad que figura en la placa de identificación. Si el voltaje es incorrecto, comuníquese con un técnico electricista o con su compañía eléctrica.
	Fusible fundido, disyuntor o GFCI disparados	Verifique que el fusible usado sea de la capacidad y del tamaño correctos y que esté en buen estado. Reemplace el fusible con uno de la capacidad y el tamaño correctos. Verifique que no haya conexiones flojas, sucias o corroídas y resuelva según sea necesario. Verifique que el disyuntor o el GFCI no se hayan disparado y, si fuera el caso, investigue la causa, resuelva el problema y restablézcalos. Si el problema continúa, comuníquese con un técnico electricista.
	Daño al cable de alimentación	Inspeccione el cable de alimentación y el terminal del motor para confirmar la continuidad. Verifique que no haya cortes ni daños. Reemplace según sea necesario con un cable de alimentación y un terminal de motor nuevos. Nunca intente pegar con cinta adhesiva ni empalmar el cable o el terminal del motor.
	El motor no funciona	No hay nada que reparar en el motor. Si no funciona, deberá reemplazarlo.
La unidad funciona, pero se dispara la sobrecarga en el receptáculo	Voltaje de alimentación incorrecto	Verifique que el voltaje de alimentación sea $\pm 10\%$ de la capacidad que figura en la placa de identificación. Si el voltaje es incorrecto, comuníquese con un técnico electricista o con su compañía eléctrica.
	Calor ambiental excesivo cerca del receptáculo	Las sobrecargas son sensibles al calor y pueden dispararse si un receptáculo está expuesto a un calor ambiental excesivo. Proteja el tablero de mando de la fuente de calor o muévalo lejos de esta.
	Daño al cable de alimentación	Inspeccione el cable de alimentación y el terminal del motor para confirmar la continuidad. Verifique que no haya cortes ni daños. Reemplace según sea necesario con un cable de alimentación y un terminal de motor nuevos. Nunca intente pegar con cinta adhesiva ni empalmar el cable o el terminal del motor.
Menor rendimiento del oxigenador o la fuente	Voltaje de alimentación incorrecto	Verifique que el voltaje de alimentación sea $\pm 10\%$ de la capacidad que figura en la placa de identificación. Si el voltaje es incorrecto, comuníquese con un técnico electricista o con su compañía eléctrica.
	Residuos	Los residuos pueden obstruir la entrada y reducir la altura y el diámetro de la fuente. Consulte las instrucciones de limpieza en la sección Mantenimiento.
	Hélice o impulsor desgastados o rotos	Instale un nuevo juego de acondicionamiento de oxigenador o un adaptador de boquilla para fuente decorativa.
El oxigenador o la fuente arrancan y paran de manera intermitente.	El motor se recalienta o sobrecarga y hace disparar al protector térmico integral	Inspeccione, limpie y retire todos los residuos del motor. Retire todos los residuos que bloqueen el flujo de agua que circula por el motor o el cabezal de la bomba.
		Verifique que el voltaje de alimentación sea $\pm 10\%$ de la capacidad que figura en la placa de identificación. Si el voltaje no está dentro de este rango (alto o bajo), comuníquese con un técnico electricista o con su compañía eléctrica.
		Verifique que los cables estén instalados de manera correcta y segura en el tablero de mando.
		El motor puede ser defectuoso.

## PIEZAS DE REEMPLAZO

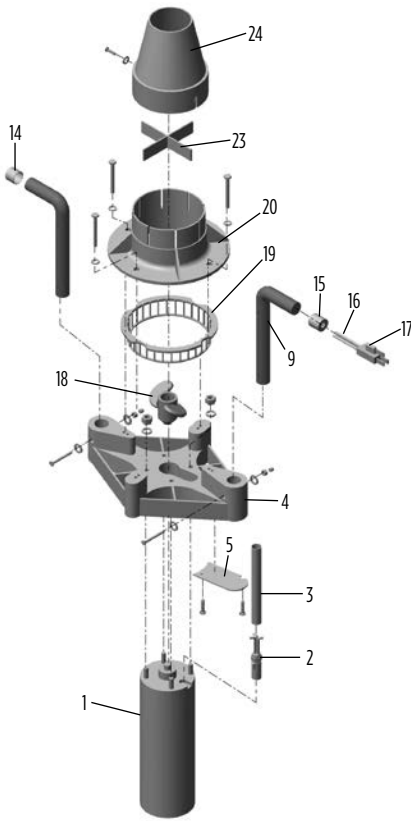
Piezas de reemplazo - Hélice de oxigenación				
Modelo	Número de pieza	Descripción	Componentes incluidos en el juego de repuesto	Figura de referencia
1/2 hp	517317	Oxigenador, 1/2 hp, juego de acondicionamiento	18, 19, 23	12
	517329	Repuesto juego de cables de 30 m (100') con terminal y tubo de soporte	2, 3, 9, 15, 16, 17	12
	517330	Estructura de unidad impulsora de repuesto, cable de 30 m (100')	1, 2, 3, 4, 5, 9, 14, 15, 16, 17	12
1 hp	517337	Oxigenador, 1 hp, juego de acondicionamiento	18, 19, 23	12
	517339	Repuesto juego de cables de 46 m (150') con terminal y tubo de soporte	2, 3, 9, 15, 16, 17	12
	517340	Estructura de unidad impulsora de repuesto, cable de 46 m (150')	1, 2, 3, 4, 5, 9, 14, 15, 16, 17	12
All	517326	Montaje de boquilla reguladora de oxigenador/fuente de repuesto	19, 20, 23, 24	12
	517328	Montaje de soporte del motor de repuesto	4, 5	12
	517331	Repuesto, flotador, 91 cm (36")	N/C	No se muestra

Piezas de reemplazo - Bomba centrífuga para fuentes				
Número de pieza	Descripción	Componentes incluidos en el juego de repuesto	Figura de referencia	
517318	Bomba centrífuga, 1/2 hp, juego de acondicionamiento	18, 20, 21, 23	13	
517338	Bomba centrífuga, 1 hp, juego de acondicionamiento	18, 20, 21, 23	13	
517327	Montaje de adaptador de boquilla de bomba centrífuga para fuentes de repuesto	28, 29, 31	13	

## PIEZAS ACCESORIAS

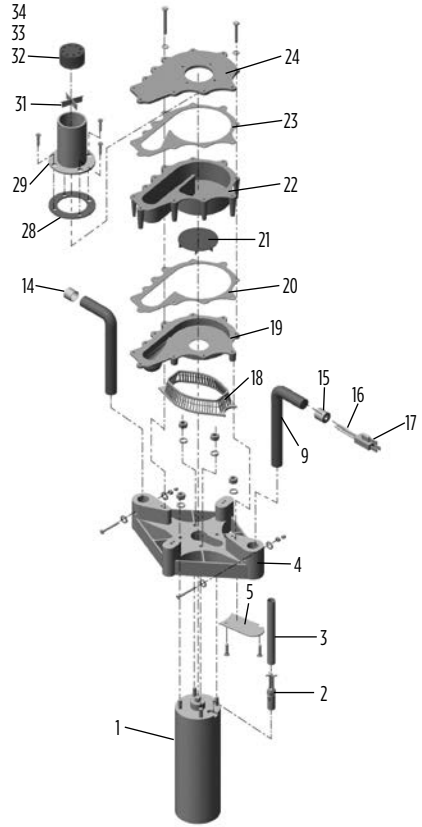
Accesorios - Bomba centrífuga para fuentes				
Número de pieza	Descripción	Componentes incluidos en el juego de repuesto	Figura de referencia	
517310	Cabezal de bomba para fuentes, 1/2 hp, juego de conversión con 3 boquillas (sin motor)	Todos los artículos en la figura	14	
517311	Cabezal de bomba para fuentes, 1 hp, juego de conversión con 3 boquillas (sin motor)	Todos los artículos en la figura	14	
517319	Montaje de boquilla <i>Sonata</i> para fuente decorativa	Todos los artículos que se muestran en la figura	15	
517320	Montaje de boquilla <i>Cantata</i> para fuente decorativa	Todos los artículos que se muestran en la figura	15	
517321	Montaje de boquilla <i>Concerto</i> para fuente decorativa	Todos los artículos que se muestran en la figura	15	
517322	Montaje de boquilla <i>Staccato</i> para fuente decorativa	Todos los artículos que se muestran en la figura	15	
517323	Montaje de boquilla <i>Crescendo</i> para fuente decorativa	Todos los artículos que se muestran en la figura	15	

**NOTA:** Todos los repuestos y accesorios vienen embalados con las instrucciones y todos los sujetadores necesarios para el montaje.



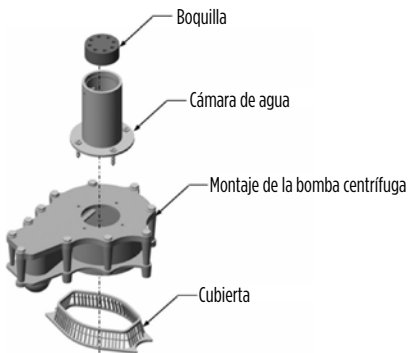
**Figura 12**

**Vista de despiece: Montaje de la bomba de oxigenación**



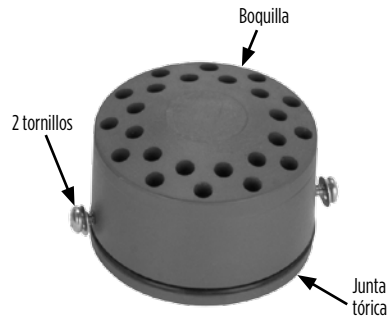
**Figura 13**

**Vista de despiece: Montaje de la bomba centrífuga**



**Figura 14**

**Vista de despiece: Juego de conversión de cabezal de bomba centrífuga**



**Figura 15**

**Montaje de boquilla para fuente decorativa**

(Nota: La boquilla *Staccato* se muestra a modo de referencia).

# GARANTÍA LIMITADA

## ESTA GARANTÍA ESTABLECE LA OBLIGACIÓN ÚNICA DE LA EMPRESA Y LA COMPENSACIÓN EXCLUSIVA AL COMPRADOR POR UN PRODUCTO DEFECTUOSO.

Franklin Electric Company, Inc. y sus filiales (en adelante, "la Empresa") garantizan que los productos acompañados por esta garantía están libres de defectos de materiales o mano de obra de la Empresa al momento de la venta por parte de la Empresa y que se produzcan o existan dentro del período correspondiente de la garantía. Todo distribuidor, subdistribuidor, receptor, usuario final o consumidor está de acuerdo con que, al aceptar la recepción de los productos, el distribuidor, subdistribuidor, receptor, usuario final o consumidor también acepta expresamente regirse por los términos de la garantía que aquí se establecen.

### I. Período de vigencia de la garantía

Los productos acompañados por esta garantía tendrán cobertura en virtud de esta Garantía limitada durante un período de 24 meses desde la fecha de compra original del consumidor. Si no existiera una prueba fehaciente de la fecha de compra, el período de garantía de este producto comenzará desde su fecha de fabricación.

### II. Instrucciones que se aplican a esta Garantía limitada

1. Los consumidores que deseen presentar un reclamo de garantía deben devolver los productos acompañados por esta garantía en el punto de venta con el fin de que se evalúe la garantía.
2. Si se descubre un defecto, toda lesión, daño a la propiedad u otro tipo de daño resultante, si corresponde, se mitigará razonablemente en la medida que sea posible.
3. A su criterio, la Empresa puede inspeccionar los productos en sus instalaciones o en el campo y, después de la determinación de un reclamo de garantía, la Empresa reparará o reemplazará las piezas defectuosas según su elección. Las piezas reparadas o reemplazadas se devolverán con el flete prepago por la Empresa.
4. Esta política de garantía no cubre gastos de trabajo ni envío. La Empresa no será responsable de los costos o gastos que se atribuyan a las pruebas, el mantenimiento, la instalación, la reparación o la remoción de productos, ni de las herramientas, los suministros o los equipos que se necesiten para instalar, reparar o retirar productos.

### III. Limitaciones que se aplican a esta Garantía limitada

#### **ESTA GARANTÍA NO SE APLICA A NINGUNO DE LOS SIGUIENTES ELEMENTOS:**

1. Escobillas, impulsores o levas en modelos con motores tipo escobilla o impulsores con paletas flexibles.
2. Todo producto que no se instale, aplique, mantenga y use de conformidad con las instrucciones publicadas por la Empresa, las regulaciones vigentes, las ordenanzas vigentes o los estándares industriales aceptados.
3. Todo producto que haya sido sujeto a un uso incorrecto, aplicación incorrecta, alteración, accidente, abuso, manipulación, sucesos de fuerza mayor (incluidas descargas eléctricas), actos de terrorismo, actos de guerra, fuego, almacenamiento o instalación incorrectos, daños o siniestros, o a un exceso de los valores máximos recomendados que se establecen en las instrucciones del producto.
4. Todo producto que se opere con cualquier accesorio, equipo, componente o pieza que no esté específicamente aprobado por la Empresa.
5. El uso de piezas de reemplazo que no venda la Empresa, la incorporación no autorizada de productos que no sean de la Empresa a otros productos de la Empresa y la modificación no autorizada de productos de la empresa.
6. Productos dañados por el desgaste normal, servicios habituales de mantenimiento y las piezas usadas en relación con dicho servicio, o cualquier otra condición más allá del control de la Empresa.
7. Todo producto que haya sido utilizado para otros propósitos, distintos de aquellos para los que fue diseñado y fabricado.
8. Todo uso del producto en el que no se hayan respetado las instrucciones de instalación o las instrucciones de uso.
9. Productos conectados a un voltaje distinto al que indica la placa de identificación.
10. Productos resultantes de la exposición de la bomba a cualquiera de los siguientes elementos: arena, grava, cemento, grasa, yeso, lodo, alquitrán, hidrocarburos, derivados de hidrocarburos (aceite, gasolina, solventes, etc.) u otras sustancias abrasivas o corrosivas.
11. Productos resultantes de que se haya usado la bomba para bombear o circular cualquier sustancia que no sea agua dulce a temperatura ambiente.
12. Productos resultantes de que se haya permitido que la bomba opere en seco (suministro de fluidos cortado).
13. Productos resultantes de que se haya abierto la carcasa sellada del motor o el producto haya sido desmantelado, de algún otro modo, por el cliente.
14. Productos a los que se les haya cortado el cable a una longitud inferior a 91 centímetros (3 pies).

La Empresa se reserva el derecho a, en cualquier momento y con cualquier frecuencia, efectuar cambios en el diseño o mejoras de este producto, sin que esto constituya una obligación en sí misma para efectuar los cambios o las mejoras correspondientes en los productos que ya fabricó o que vendió anteriormente. La Empresa también se reserva el derecho a sustituir piezas o componentes de sustancialmente igual calidad en cualquier servicio de garantía que se requiera en virtud de la operación de esta Garantía limitada.

Esta Garantía limitada escrita constituye toda garantía que la Empresa autoriza y ofrece. No existen garantías ni manifestaciones más allá de las que se expresan en este documento.

ESTA GARANTÍA Y SOLUCIÓN REEMPLAZAN A CUALQUIER OTRA GARANTÍA Y SOLUCIÓN, INCLUIDAS, SIN LIMITACIÓN, GARANTÍAS DE COMERCIALIZACIÓN Y ADAPTACIÓN PARA UN FIN EN PARTICULAR, QUE POR EL PRESENTE SE NIEGAN ESPECÍFICAMENTE Y SE EXCLUYEN DE MANERA EXPRESA. LAS MEDIDAS CORRECTIVAS PARA SUBSANAR INCONFORMIDADES, DE LA MANERA Y DURANTE EL PLAZO QUE SE ESTABLECEN ANTERIORMENTE, CONSTITUIRÁN EL CUMPLIMIENTO DE TODA RESPONSABILIDAD DE LA EMPRESA HACIA EL COMPRADOR, YA SEA SEGÚN CONTRATO, NEGLIGENCIA O DE OTRO MODO.

**LA EMPRESA NO SERÁ RESPONSABLE DE DAÑOS INCIDENTALS, CONSECUENTES O ESPECIALES, COMO LOS SIGUIENTES, SIN LIMITACIÓN:**

**DAÑO O PÉRDIDA DE OTRAS PROPIEDADES O EQUIPOS, PÉRDIDA DEL USO DE EQUIPOS, INSTALACIONES O SERVICIOS, PÉRDIDA DE GANANCIAS O VENTAS, COSTO DE COMPRAS O BIENES DE REEMPLAZO, RECLAMOS DE CLIENTES DEL COMPRADOR, AUSENCIA DE ADVERTENCIAS O INSTRUCCIONES, PÉRDIDA DE OTROS PRODUCTOS O COSTOS DE REHABILITACIÓN AMBIENTAL O DISMINUCIÓN DEL VALOR DE LA PROPIEDAD. LAS SOLUCIONES DEL COMPRADOR QUE AQUÍ SE ESTABLECEN SON EXCLUSIVAS Y LA RESPONSABILIDAD DE LA EMPRESA, A MENOS QUE AQUÍ SE DISPONGA EXPRESAMENTE, NO SUPERARÁ EL PRECIO DE LOS PRODUCTOS EN LOS QUE SE BASA DICHA RESPONSABILIDAD. LOS DAÑOS ESTABLECIDOS EN ESTE PÁRRAFO SE MITIGARÁN RAZONABLEMENTE EN LA MEDIDA QUE SEA POSIBLE. ESTE PÁRRAFO TAMBIÉN SE APLICARÁ A TODOS LOS DAÑOS QUE SE PRODUZCAN POR LAS CONDICIONES ESTABLECIDAS EN LA SECCIÓN III ANTERIOR Y (1) A LOS DEFECTOS EN PROTOTIPOS DE PRODUCTOS O PROTOTIPOS DE PIEZAS DE REEMPLAZO QUE LA EMPRESA NO HAYA PUESTO EN PRODUCCIÓN, CIRCULADO O VENDIDO, O (2) DEFECTOS QUE NO SE ENCONTRARON AL MOMENTO DE VENTA DEBIDO A MOTIVOS CIENTÍFICOS Y TECNOLÓGICOS.**

Esta Garantía limitada le brinda derechos legales específicos. Es posible que tenga otros derechos, que pueden variar según las leyes y normas vigentes. Si algún término de esta garantía está prohibido por dichas leyes, se considerará nulo y sin efecto; sin embargo, el resto de la garantía seguirá en plena vigencia.

**DESCARGO DE RESPONSABILIDADES:** Cualquier declaración oral sobre el producto realizada por el vendedor, la Empresa, los representantes o cualquier otra parte, no constituye garantías. El usuario no debe depender de ellas y no forman parte de este contrato de venta. La única obligación del vendedor y la Empresa, y la única compensación a disposición del comprador, será el reemplazo o la reparación del producto por parte de la Empresa, de la forma descrita anteriormente. Antes de usar el producto, el usuario determinará la idoneidad de este para su uso previsto, y asumirá todos los riesgos y la responsabilidad que se deriven de esta acción.

---

Para la ayuda técnica, por favor póngase en contacto. . . . . 800.701.7894

[www.littlegiant.com](http://www.littlegiant.com)  
[lgnet@fele.com](mailto:lgnet@fele.com)

---



Formulario 998918  
Rev. 001  
09/17

**LittleGIANT®**

Franklin Electric Co., Inc.  
Oklahoma City, OK 73157-2010  
Phone: 1.800.701.7894  
Fax: 1.405.228.1561



**LittleGIANT®**


**POMPE D'AÉRATION  
FLOTTANTE ET POMPE  
CENTRIFUGE POUR  
FONTAINE**

**Manuel du propriétaire**



## AVANT DE COMMENCER

Consultez et respectez toutes les directives de sécurité. Consultez les plaques signalétiques du produit pour obtenir des directives d'utilisation et des spécifications additionnelles.

Voici le symbole d'alerte de sécurité. Lorsque vous voyez ce symbole  sur votre pompe ou dans ce manuel, recherchez l'un des mots-clés suivants et soyez conscient(e) du risque de blessures ou de dommages matériels lorsqu'on n'en tient pas compte :

** DANGER** Signale des dangers qui entraîneront des blessures graves, la mort ou des dommages matériels importants lorsqu'on n'en tient pas compte.

** AVERTISSEMENT** Signale des dangers qui peuvent entraîner des blessures graves, la mort ou des dommages matériels importants lorsqu'on n'en tient pas compte.

** ATTENTION** Signale des dangers qui entraîneront ou risquent d'entraîner des blessures mineures ou des dommages matériels importants lorsqu'on n'en tient pas compte.

** AVIS** Indique des instructions spéciales importantes, mais qui ne sont cependant pas liées à des dangers. Consulter et respecter attentivement toutes les directives de sécurité qui figurent dans ce manuel et sur la pompe.



**⚠ DANGER** Ne pas utiliser pour pomper des fluides inflammables ou explosifs, comme de l'essence, du mazout, du kérosène, etc. Ne pas utiliser dans des atmosphères explosives ou des emplacements dangereux, catégorisés comme tels par NEC, ANSI/NFPA70. Ne pas tenir compte de cet avertissement entraînera des dommages matériels, des blessures ou la mort. Ne pas manipuler la pompe ou son moteur avec les mains mouillées et ne pas avoir les pieds sur une surface mouillée ou humide ou dans l'eau. Ne pas tenir compte de cet avertissement peut entraîner une décharge électrique mortelle. Le produit ne doit être utilisé qu'avec des liquides qui sont compatibles avec les matériaux des composants du produit.

## **⚠ AVERTISSEMENT**

- **RISQUE DE DÉCHARGE ÉLECTRIQUE** - Ce produit est fourni avec un conducteur de mise à la terre et une fiche munie d'une attache de mise à la terre. Pour réduire les risques de décharges électriques, s'assurer qu'elle est branchée à une prise électrique correctement mise à la terre. Couper l'alimentation avant de commencer le travail sur le produit ou à proximité de celui-ci.
- Cet équipement doit être installé par une personne qualifiée sur le plan technique. Respecter les codes locaux et nationaux de l'électricité et de la plomberie ainsi que le NEC (Code américain de l'électricité) et l'OSHA (loi sur la santé et la sécurité au travail des États-Unis) pour l'installation de cette unité. Une installation qui ne respecte pas les codes nationaux et locaux de l'électricité et de la plomberie et les recommandations de Franklin Electric est susceptible de provoquer une décharge électrique, un incendie, un rendement insatisfaisant ou une défaillance de l'équipement. De l'information sur l'installation est disponible auprès des fabricants et des distributeurs de pompes, ou directement auprès de Franklin Electric au moyen de notre numéro sans frais, 888 956 0000.
- Pour réduire le risque de décharge électrique pouvant causer des blessures, le décès ou d'importants dommages matériels, on doit s'assurer de brancher le produit à un circuit protégé par un disjoncteur différentiel de fuite à la terre (DDFT). Au moment d'installer cette unité, il est essentiel de respecter tous les codes nationaux et locaux d'électricité et de plomberie. Ne pas utiliser une rallonge électrique.
- S'assurer que la pompe est débranchée de la source d'alimentation avant de réparer l'appareil ou d'en retirer un composant. Si le raccordement à la source d'alimentation n'est pas visible, verrouiller en position « ouvert » et étiqueter pour éviter la mise sous tension par inadvertance.
- Danger potentiel de coupure. L'hélice en rotation peut causer de graves blessures. Couper l'alimentation et verrouiller avant l'installation ou l'entretien.
- Ce produit n'a pas fait l'objet d'essais relativement à une utilisation dans une piscine ou dans des zones marines.
- Avant de commencer l'installation, l'entretien ou la maintenance de l'unité ou la flottaison dans un quelconque plan d'eau, il faut porter un vêtement de flottaison individuel (VFI) de type I, II ou III approuvé par la Garde côtière américaine.
- La flottaison fournie par ce produit n'a pas été confirmée pour l'utilisation en tant que vêtement de flottaison individuel.
- Tenter d'installer ou de faire l'entretien de l'équipement à partir d'une plateforme de travail instable peut causer des blessures ou la mort.
- Le moteur de la pompe est muni d'un protecteur thermique à réinitialisation automatique et peut redémarrer subitement. Le déclenchement du protecteur est un symptôme de surcharge ou de surchauffe du moteur. Consulter la section **Dépannage** pour de l'information additionnelle.

## **⚠ ATTENTION**

- Ne pas utiliser cet équipement hors de l'eau.
- Maintenir les étiquettes de sécurité propres et en bon état.
- Porter des lunettes de protection pendant les travaux d'installation ou de maintenance du produit.
- S'assurer que **L'ALIMENTATION ÉLECTRIQUE EST COUPÉE** avant de procéder à un branchement de fils électriques. Respecter toutes les directives énoncées dans la section **Connexions électriques** du présent manuel relativement au câblage du produit.
- Cette pompe n'a été évaluée que pour une utilisation avec de l'eau.

## **⚠ AVIS**

- Cet équipement ne doit pas être utilisé par des enfants ou des personnes dont les capacités physiques, sensorielles ou mentales sont réduites, ou ne possédant pas l'expérience ou l'expertise requise, sauf s'ils sont supervisés ou dirigés. Les enfants ne doivent pas utiliser l'équipement, ou encore jouer avec celui-ci ou à proximité de celui-ci.
- Inspecter périodiquement l'unité et les composants du système. Planifier et effectuer un entretien régulier, conformément aux exigences énoncées à la section **Entretien du système**.

## PREMIERS PAS

Ce feuillet d'instructions vous fournit l'information requise pour utiliser votre produit Little Giant<sup>MD</sup> de manière sécuritaire. Conservez ces instructions pour référence ultérieure. Le produit Little Giant que vous avez acheté est de grande qualité, tant par sa fabrication que par ses matériaux, et sa conception vous assure d'un fonctionnement fiable et de longue durée. Les produits Little Giant ont été soigneusement testés, inspectés et emballés pour en assurer la livraison et le fonctionnement sécuritaires. Veuillez examiner votre produit soigneusement afin de vous assurer qu'aucun dommage ne s'est produit pendant l'expédition. Dans le cas contraire, veuillez communiquer avec le vendeur. Il vous aidera à obtenir un remplacement ou une réparation, le cas échéant.



Si vous éprouvez des difficultés ou s'il manque des pièces, veuillez communiquer avec le soutien technique Little Giant au 888 956 0000 avant de retourner ce produit au point de vente. Le soutien téléphonique effectuera avec vous le dépannage, puis déterminera les mesures à prendre.

**⚠ AVERTISSEMENT** LISEZ ATTENTIVEMENT CES INSTRUCTIONS AVANT DE TENTER D'INSTALLER, D'UTILISER OU D'EFFECTUER L'ENTRETIEN DE VOTRE PRODUIT LITTLE GIANT. SOYEZ CONSCIENT(E) DE L'APPLICATION, DES LIMITES ET DES RISQUES POTENTIELS DU PRODUIT. PROTÉGEZ-VOUS ET LES AUTRES PERSONNES EN RESPECTANT TOUTES LES DIRECTIVES DE SÛRETÉ. LE NON-RESPECT DE CES INSTRUCTIONS POURRAIT ENTRAÎNER DES BLESSURES OU DES DOMMAGES MATÉRIELS!

## Description

Le ou les produits couverts par ce document peuvent être assemblés selon deux configurations différentes : une pompe d'aération flottante ou une pompe centrifuge pour fontaine flottante; chaque configuration remplit une fonction différente. Dans la configuration de pompe d'aération, de l'eau oxygénée est acheminée vers des étangs, des lacs, des jardins d'eau, etc. La configuration de pompe centrifuge pour fontaine offre quant à elle une gamme de fontaines esthétiques.

# SPÉCIFICATIONS

Les spécifications sont énumérées séparément pour les deux configurations d'assemblage de ce produit.

UNITÉ D'AÉRATION – TÊTE DE POMPE D'HÉLICE									
N° de modèle	N° d'article	Tension/ fréquence	Intensité (A)	Intensité (A), fusible/ disjoncteur	Longueur du cordon (pi)	Profondeur minimale de fonctionnement (po)	GPM	Hauteur moyenne de la fontaine (pi)	Largeur moyenne de la fontaine (pi)
APA-05-HAR	517300	115/60	12	15A	100	18	350	4	10
APA-10-HAR	517301	230/60	10,8	15A	150	18	800	6	16

UNITÉ DE FONTAINE – TÊTE DE POMPE CENTRIFUGE											
N° de modèle	N° d'article	Tension/ fréquence	Intensité (A), fusible/ disjoncteur	Longueur du cordon (pi)	Profondeur minimale de fonctionnement (po)	Type de buse	Intensité (A)	W	Hauteur moyenne de la fontaine (pi)	Largeur moyenne de la fontaine (pi)	
FPA-05-K01	517310	115/60	15A	100	18	Sonata	10,9	960	14	28	
						Cantata	11,0	995	13	18	
						Concerto	11,8	1100	15	30	
FPA-10-K01	517311	230/60	15A	150	18	Sonata	10,10	1923	16	32	
						Cantata	10,4	1991	20	20	
						Concerto	9,7	1800	30	50	

UNITÉ DE FONTAINE – TYPES DE BUSES OFFERTES EN OPTION						
Type de buse	N° d'article	HP	Intensité (A)	W	Hauteur moyenne de la fontaine (pi)	Largeur moyenne de la fontaine (pi)
Staccato	517322	1/2	11,6	1062	8	14
		1	10,5	2022	14	18
Crescendo	517323	1/2	11,4	1020	13	-
		1	10,2	1960	25	-

MOTEUR						
Valeur nominale				Charge maximale Intensité (A)	Bobinage, résist. en ohms	Intensité (A), rotor verrouillé
HP	V	Hz	Facteur de service			
1/2	115	60	1,6	12	1,0 - 1,3	64,4
1	230	60	1,4	10,8	2,2 - 2,7	48,7

# INSTALLATION – ASSEMBLAGE DE POMPE D'AÉRATION

## (Modèle APA-XX-HAR)



### **AVERTISSEMENT**

Cet équipement doit être installé par une personne qualifiée sur le plan technique. Respecter les codes locaux et nationaux de l'électricité et de la plomberie ainsi que le NEC (Code américain de l'électricité) et l'OSHA (loi sur la santé et la sécurité au travail des États-Unis) pour l'installation de cette unité. Une installation qui ne respecte pas les codes nationaux et locaux de l'électricité et de la plomberie et les recommandations de Franklin Electric est susceptible de provoquer une décharge électrique, un incendie, un rendement insatisfaisant ou une défaillance de l'équipement. De l'information sur l'installation est disponible auprès des fabricants et des distributeurs de pompes, ou directement auprès de Franklin Electric au moyen de notre numéro sans frais, 888 956 0000.

**DANGER** Ne pas utiliser pour pomper des fluides inflammables ou explosifs, comme de l'essence, du mazout, du kérosène, etc. Ne pas utiliser dans des atmosphères explosives ou des emplacements dangereux, catégorisés comme tels par NEC, ANSI/NFPA70. Ne pas tenir compte de cet avertissement peut entraîner des dommages matériels, des blessures ou la mort. Ne pas manipuler la pompe ou son moteur avec les mains mouillées et ne pas avoir les pieds sur une surface mouillée ou humide ou dans l'eau. Ne pas tenir compte de cet avertissement peut entraîner une décharge électrique mortelle. Le produit ne doit être utilisé qu'avec des liquides qui sont compatibles avec les matériaux des composants du produit.

**AVERTISSEMENT** Ce produit n'a pas fait l'objet d'essais relativement à une utilisation dans une piscine ou dans des zones marines.

**AVERTISSEMENT RISQUE DE DÉCHARGE ÉLECTRIQUE** - S'assurer que l'unité est débranchée de la source d'alimentation avant de tenter d'installer ou de réparer l'appareil ou d'en retirer un composant. Si le raccordement à la source d'alimentation n'est pas visible, verrouiller en position « ouvert » et étiqueter pour éviter la mise sous tension par inadvertance.

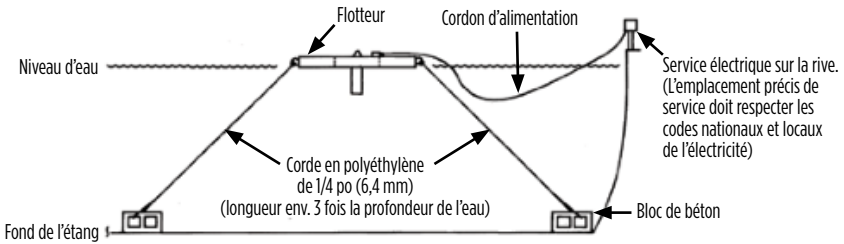
### Étape 1 Déballer la pompe avec soin.

- a) Conserver l'emballage pour l'entreposage en hiver ou pour retourner éventuellement le produit sous garantie.

### Étape 2 Mettre l'unité en place.

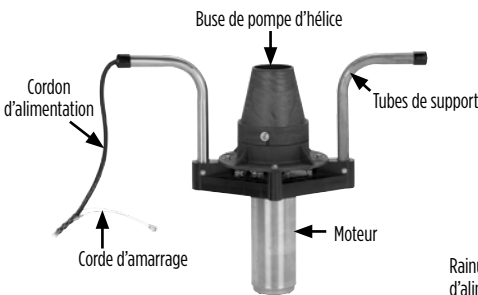
- a) **REMARQUE** : Plutôt que d'ancre l'unité au fond de l'étang, il est possible de l'arrimer à la rive.
- b) Préparer le flotteur pour l'ancrage ou l'arrimage
  - i. Couper deux segments de corde en polyéthylène de 1/4 po (6,4 mm). Dans le cas d'un ancrage au fond de l'étang, prévoir environ 3 pi (1 m) de corde pour chaque pied (30 cm) de profondeur d'eau (illustration 1). Dans le cas d'un arrimage à la rive, laisser suffisamment de corde pour atteindre un point d'arrimage solide sur la rive à partir de l'emplacement de flottaison souhaité sur l'étang.
  - ii. Au moins deux cordes d'ancrage/d'arrimage doivent être utilisées, attachées à deux coins opposés du flotteur (illustration 3). Insérer une extrémité de corde dans l'un des trous d'ancrage/d'arrimage du flotteur, puis la nouer solidement. Répéter au coin diamétralement opposé. Dans la plupart des applications, seulement deux coins opposés sont nécessaires pour une installation solide (illustration 1). Cependant, si votre application comporte des vents violents, l'ancrage/l'arrimage à trois coins ou plus du flotteur peut réduire la dérive de l'unité dans ces conditions.
  - iii. Deux blocs de construction en béton de 8 po x 8 po x 16 po (20,3 x 20,3 x 40,6 cm) sont souvent utilisés comme poids pour ancrer l'unité. Ce type d'ancre s'enfouit de lui-même dans la boue ou le fond du lac.
  - iv. Fixer solidement l'extrémité opposée de la corde à des blocs de béton distincts.

- c) Placer le flotteur à l'endroit désiré sur l'étang.
- Dans le cas d'un ancrage au fond d'un étang, faire descendre un bloc d'ancrage au fond de l'étang, placer le flotteur à l'endroit désiré puis faire descendre l'autre bloc au fond de l'étang, de manière à ce que les cordes forment un angle avec le flotteur (illustration 1).
  - Dans le cas d'un arrimage du flotteur à la rive, placer le flotteur à l'endroit désiré et attacher les cordes d'arrimage à des ancres d'arrimage solides sur deux rives opposées.

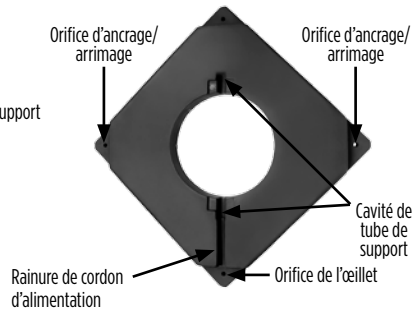


**Illustration 1**

- d) Installer l'assemblage moteur/pompe d'aération au flotteur. Aucune quincaillerie et aucun outil de montage ne sont requis.
- Faire descendre l'extrémité du moteur en premier au travers de l'orifice au centre du flotteur puis dans l'eau.
  - Faire pivoter l'assemblage pompe/moteur pour que le cordon d'alimentation soit orienté avec la rainure pour cordon dans le flotteur (illustrations 2 et 3).
  - Continuer de faire descendre jusqu'à ce que chaque tube de support repose dans sa cavité correspondante sur le flotteur.
  - Acheminer le cordon d'alimentation dans la rainure du flotteur jusqu'à ce qu'il sorte du flotteur et dans l'eau.
  - Fixer la corde d'amarrage à l'œillet du flotteur (illustrations 2 et 3).



**Illustration 2**



**Illustration 3**

### Étape 3 Passer à la section **Connexions électriques**.

# CONNEXIONS ÉLECTRIQUES



**⚠ AVERTISSEMENT** Cet équipement doit être installé par une personne qualifiée sur le plan technique. Respecter les codes locaux et nationaux de l'électricité et de la plomberie ainsi que le NEC (Code américain de l'électricité) et l'OSHA (loi sur la santé et la sécurité au travail des États-Unis) pour l'installation de cette unité. Une installation qui ne respecte pas les codes nationaux et locaux de l'électricité et de la plomberie et les recommandations de Franklin Electric est susceptible de provoquer une décharge électrique, un incendie, un rendement insatisfaisant ou une défaillance de l'équipement. De l'information sur l'installation est disponible auprès des fabricants et des distributeurs de pompes, ou directement auprès de Franklin Electric au moyen de notre numéro sans frais, 888 956 0000.

**⚠ AVIS** L'installation du circuit d'alimentation électrique vers l'unité doit être effectuée par un électricien agréé et certifié conformément aux codes nationaux et locaux.

**⚠ AVERTISSEMENT RISQUE DE DÉCHARGE ÉLECTRIQUE** - S'assurer que l'unité est débranchée de la source d'alimentation avant de tenter d'installer ou de réparer l'appareil ou d'en retirer un composant. Si le raccordement à la source d'alimentation n'est pas visible, verrouiller en position « ouvert » et étiqueter pour éviter la mise sous tension par inadvertance.

**⚠ AVERTISSEMENT** Pour réduire le risque de décharge électrique pouvant causer des blessures, le décès ou d'importants dommages matériels, on doit s'assurer de brancher le produit à un circuit protégé par un disjoncteur différentiel de fuite à la terre (DDFT). Au moment d'installer cette unité, il est essentiel de respecter tous les codes nationaux et locaux d'électricité et de plomberie. Ne pas utiliser une rallonge électrique.

## Étape 1 Câblage de l'unité

**⚠ AVERTISSEMENT RISQUE DE DÉCHARGE ÉLECTRIQUE** - Ce produit est fourni avec un conducteur de mise à la terre ou une fiche munie d'une attache de mise à la terre (ou les deux). Pour réduire les risques de décharges électriques, s'assurer qu'elle est branchée à une prise électrique correctement mise à la terre. Couper l'alimentation avant de commencer le travail sur le produit ou à proximité de celui-ci.

- a) **⚠ ATTENTION** La pompe ne comporte aucun interrupteur de marche/arrêt. La pompe fonctionne immédiatement et constamment lorsqu'elle est branchée à une source d'alimentation électrique appropriée.
- b) **⚠ AVERTISSEMENT** Danger potentiel de coupure. L'hélice en rotation peut causer de graves blessures.
- c) Pour une protection dans les environnements humides, connecter le cordon d'alimentation uniquement à une prise conçue pour l'extérieur (avec couvercle) et conforme à tous les codes nationaux, régionaux et locaux applicables.
- d) Fixer (c.-à-d. avec un serre-câble) le cordon d'alimentation au point de service électrique d'une manière conforme aux codes d'électricité et de plomberie nationaux et locaux ainsi qu'au Code national de l'électricité (NEC).
- e) Tension de ligne :
  - i. Vérifier la tension appropriée requise sur la plaque signalétique du produit. Ne pas brancher à une tension autre que celle indiquée sur l'étiquette de plaque signalétique du produit.
  - ii. Brancher le cordon d'alimentation à la tension de ligne indiquée sur le moteur et la plaque signalétique.
  - iii. Si l'application exige que le cordon d'alimentation soit physiquement câblé, effectuer le câblage comme suit :  
Vert (ou vert/jaune) – mise à la terre.    Noir (ou brun) – ligne.    Blanc (ou bleu) – neutre.
- f) Un cordon d'alimentation non protégé entre le bord de l'eau et la prise sera susceptible d'être endommagé. Il est recommandé que le cordon soit protégé à l'intérieur d'un conduit conforme à tous les codes nationaux, régionaux et locaux.

**Étape 2** Le produit est maintenant prêt pour le Test de fonctionnement du système. Passer à la section **Test de fonctionnement.**



# TEST DE FONCTIONNEMENT DU SYSTÈME

**⚠ AVERTISSEMENT** **RISQUE DE DÉCHARGE ÉLECTRIQUE** - S'assurer que l'unité est débranchée de la source d'alimentation avant de tenter d'installer ou de réparer l'appareil ou d'en retirer un composant. Si le raccordement à la source d'alimentation n'est pas visible, verrouiller en position « ouvert » et étiqueter pour éviter la mise sous tension par inadvertance.

**Étape 1** S'assurer qu'aucune personne n'est dans l'eau.

**Étape 2** Vérifier que tout le câblage est conforme aux instructions et que la pompe est branchée à la source d'alimentation.

**Étape 3** Rétablir l'alimentation électrique.

- a) Retirer le dispositif de verrouillage à la source d'alimentation.
- b) Rétablir l'alimentation vers la pompe à partir du boîtier de fusibles.
- c) Brancher le cordon d'alimentation directement dans la prise conçue pour l'extérieur et mise à la terre.

**Étape 4** Confirmer que la pompe s'allume et commence à pomper de l'eau.

- a) Débrancher le cordon d'alimentation de l'alimentation électrique si la pompe doit être éteinte.

**Étape 5** Le produit est maintenant prêt à fonctionner. Si le produit ne fonctionne pas correctement, consulter la section **Dépannage**.

# INSTALLATION – TROUSSE DE CONVERSION DE TÊTE DE FONTAINE CENTRIFUGE SEULEMENT (Modèle FPA-XX-K01)



## Description

Les instructions suivantes indiquent comment convertir votre assemblage de pompe d'aération en un assemblage de fontaine centrifuge. L'on suppose que votre assemblage de pompe d'aération (modèle APA-XX-HAR) est déjà fonctionnel et que vous avez acheté la trousse de conversion de fontaine centrifuge (modèle FPA-XX-K01). Une fois installé, l'assemblage de pompe de fontaine convertie produira différentes configurations attrayantes, mais l'aération de l'eau sera minimale. Cependant, au besoin, l'unité peut à nouveau être convertie en tête de pompe d'aération.

## Processus de conversion

Pour visionner une vidéo qui présente ces étapes, veuillez visiter notre site web [www.lg-outdoor.com](http://www.lg-outdoor.com) et sélectionner le lien vers YouTube. Vous pouvez balayer le code QR ci-dessus au moyen de votre téléphone afin de visiter notre chaîne YouTube.

**⚠ AVERTISSEMENT** **RISQUE DE DÉCHARGE ÉLECTRIQUE** - S'assurer que l'unité est débranchée de la source d'alimentation avant de tenter d'installer ou de réparer l'appareil ou d'en retirer un composant. Si le raccordement à la source d'alimentation n'est pas visible, verrouiller en position « ouvert » et étiqueter pour éviter la mise sous tension par inadvertance.

**Étape 1** S'assurer qu'aucune personne n'est dans l'eau.

**Étape 2** Débrancher l'alimentation électrique.

- Couper l'alimentation vers la pompe à partir du boîtier de fusibles.
- Installer le dispositif de verrouillage à la source d'alimentation.
- Débrancher le cordon d'alimentation de la prise conçue pour l'extérieur et mise à la terre.

**Étape 3** Retirer l'assemblage moteur/pompe d'aération de l'application actuelle.

- Déconnecter la corde d'amarrage pour détacher le cordon d'alimentation du flotteur (illustration 2).
- Lever l'assemblage moteur/pompe d'aération à la verticale et le retirer du flotteur.
- Apporter l'assemblage moteur/pompe d'aération vers la rive pour la conversion en fontaine décorative. Laisser le flotteur ancré/arrimé dans l'eau.

**Étape 4** Retirer la tête de pompe d'aération de l'assemblage du moteur.

- Placer la fontaine debout avec le moteur reposant sur une surface stable.

**⚠ ATTENTION** Ne pas laisser tomber l'unité, car des dommages pourraient se produire.

- Retirer les quatre boulons indiqués qui fixent la plaque de buse au support du moteur. Nettoyer et entreposer ces composants (illustration 4).
- Retirer l'hélice de l'arbre en tirant vers le haut, comme indiqué par la flèche. Ne pas utiliser de force excessive, car des dommages pourraient se produire (illustration 5).

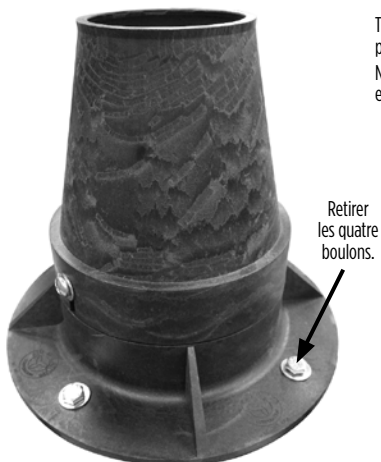


Illustration 4

Tirer l'hélice vers le haut pour la retirer de l'arbre.  
NE PAS UTILISER de force excessive.



Illustration 5

## Étape 5 Installer la tête de fontaine centrifuge sur l'assemblage du moteur.

- Placer l'épaulement d'impulseur sur le support du moteur, comme illustré. Aucune fixation n'est requise (illustration 6).
- Aligner les cannelures de l'impulseur à celles de l'arbre du moteur (illustrations 6 et 7) et pousser l'assemblage complet vers le bas sur l'arbre du moteur (après activation, l'impulseur reposera à l'emplacement approprié sur l'arbre; illustration 8).
- Faire légèrement pivoter l'assemblage de tête de pompe pour aligner les quatre trous de boulons 1/4-20 x 3 3/4 po sur les trous dans le support du moteur. Serrer les quatre boulons en alternance, à un couple de 50 po-lb (illustration 8).
- Installer le plénum d'eau et le joint d'étanchéité de buse sur le dessus de l'assemblage de tête de pompe. Fixer avec quatre boulons 1/4-20 x 1/2 po en alternance, à un couple de 50 po-lb (illustration 9).
- Choisir la buse qui offre la configuration de fontaine désirée et l'installer à l'intérieur du plénum d'eau (illustration 10).
- Fixer la buse au moyen des deux vis 10-24 x 1/2 po fournies. Au moyen d'un tournevis, serrer à la main.

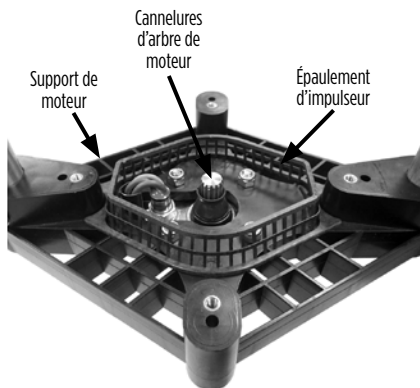


Illustration 6

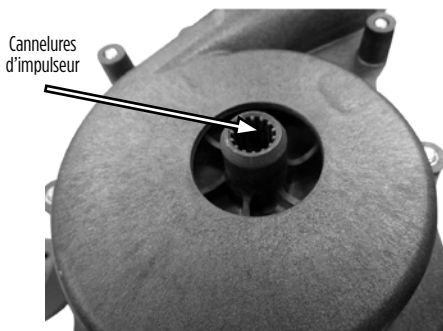
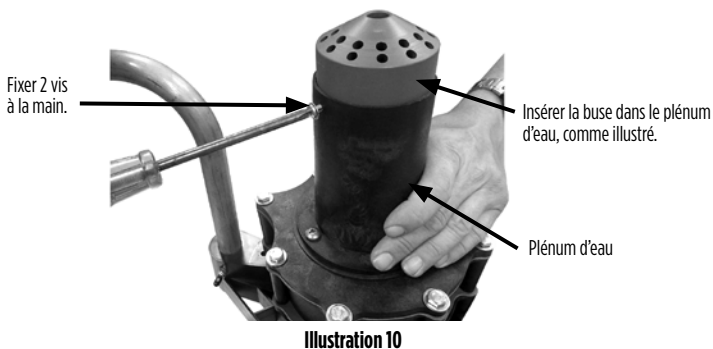
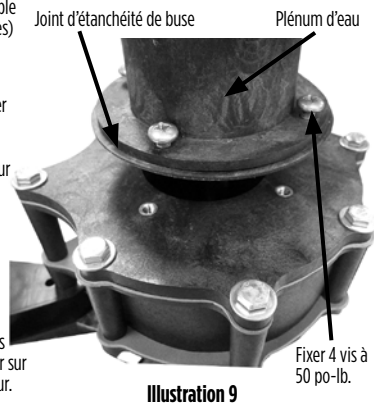
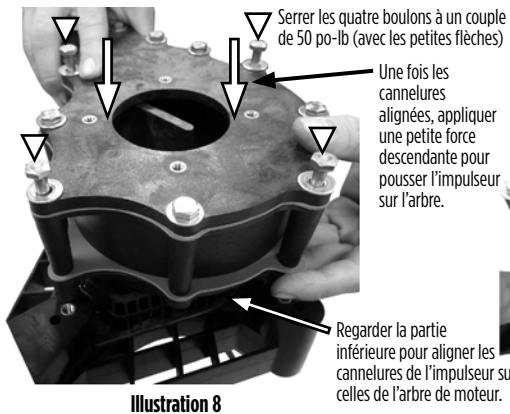


Illustration 7



## Étape 6 Installer l'assemblage moteur/tête de fontaine dans le flotteur.

- Faire descendre l'extrémité du moteur en premier au travers de l'orifice au centre du flotteur puis dans l'eau.
- Faire pivoter l'assemblage pompe/moteur pour que le cordon d'alimentation soit orienté avec la rainure pour cordon dans le flotteur (illustrations 2 et 3).
- Continuer de faire descendre jusqu'à ce que chaque tube de support repose dans sa cavité correspondante sur le flotteur.
- Acheminer le cordon d'alimentation dans la rainure du flotteur jusqu'à ce qu'il sorte du flotteur et dans l'eau.
- Fixer la corde d'amarrage à l'œillet du flotteur (illustrations 2 et 3).

## Étape 7 Rétablir l'alimentation électrique.

- S'assurer qu'aucune personne n'est dans l'eau.
- Retirer le dispositif de verrouillage à la source d'alimentation.
- Rétablir l'alimentation vers la pompe à partir du boîtier de fusibles.
- Brancher le cordon d'alimentation directement dans la prise conçue pour l'extérieur et mise à la terre.
- Confirmer que la pompe s'allume et commence à pomper de l'eau.
- Débrancher le cordon d'alimentation de l'alimentation électrique si la pompe doit être éteinte.
- Le produit est maintenant prêt à fonctionner. Si le produit ne fonctionne pas correctement, consulter la section **Dépannage**.

# ENTRETIEN DU SYSTÈME



## **AVERTISSEMENT** RISQUE DE DÉCHARGE ÉLECTRIQUE -

S'assurer que l'unité est débranchée de la source d'alimentation avant de tenter d'installer ou de réparer l'appareil ou d'en retirer un composant. Si le raccordement à la source d'alimentation n'est pas visible, verrouiller en position « ouvert » et étiqueter pour éviter la mise sous tension par inadvertance.

Inspecter et tester l'état et le fonctionnement du système tous les six mois (plus fréquemment en cas d'utilisation intensive).

Effectuer des inspections visuelles de routine du cordon d'alimentation sur toute sa longueur, afin de s'assurer qu'il n'y a aucune abrasion, éraflure ou coupure qui pourrait causer une décharge électrique.

Suivre la procédure ci-dessous pour assurer une longue durée de vie utile de l'assemblage moteur/tête de pompe :

**Étape 1** S'assurer qu'aucune personne n'est dans l'eau.

**Étape 2** Débrancher l'alimentation électrique.

- Couper l'alimentation vers la pompe à partir du boîtier de fusibles.
- Installer le dispositif de verrouillage à la source d'alimentation.
- Débrancher le cordon d'alimentation de la prise conçue pour l'extérieur et mise à la terre.

**Étape 3** Lever et retirer l'assemblage pompe/moteur du flotteur et déplacer l'unité vers la rive.

- Déconnecter la corde d'amarrage pour détacher le cordon d'alimentation du flotteur (illustration 2).
- Lever l'assemblage pompe/moteur à la verticale et le retirer du flotteur.
- Apporter l'assemblage pompe/moteur vers la rive pour effectuer la maintenance. Laisser le flotteur ancré/arrimé dans l'eau.

**Étape 4** Inspecter, nettoyer et retirer toute accumulation sur le moteur (moteur dans l'illustration 2).

- Retirer toute accumulation sur le moteur. Veuillez noter que le moteur est lubrifié avec de l'eau et refroidi par l'eau qui circule sur sa surface extérieure (il n'y a pas de circulation d'eau à l'intérieur du moteur); il est donc important de maintenir propre cette surface extérieure afin de prolonger la durée de vie du moteur.
- Le moteur est scellé. **AUCUNE MAINTENANCE DU JOINT D'ÉTANCHÉITÉ OU DE FLUIDE N'EST REQUISE.**
- Il n'y a aucune pièce réparable par l'utilisateur à l'intérieur du moteur. **NE PAS TENTER DE MODIFIER OU DE DÉSSASSEMBLER LE MOTEUR. UNE TELLE TENTATIVE SERA VISIBLE ET ANNULERA LA GARANTIE.**

**Étape 5** Inspecter, nettoyer et retirer toute accumulation dans la **Tête de pompe d'aération** (illustrations 4 et 5).

- La buse de pompe d'hélice (illustration 2) est maintenue en place par deux vis. Dévisser suffisamment les vis pour pouvoir faire pivoter la buse en sens antihoraire puis la faire glisser à l'écart de la gorge.
- L'accès au redresseur de débit et à l'hélice est maintenant possible et permet le retrait de tout débris étranger.
- Réinstaller dans l'ordre inverse de dépose, puis serrer les vis à un couple de 50 po-lb.
- Inspecter visuellement l'hélice pour repérer tout signe d'usure, au moins DEUX fois par année.
- Remplacer l'hélice si de l'usure est détectée, car l'usure de l'hélice peut causer une défaillance prématurée du moteur. Consulter la section **Pièces de remplacement**.

## Étape 6 Inspecter, nettoyer et retirer toute accumulation dans la **Tête de pompe centrifuge** (illustration 10).

- a) Retirer la buse de fontaine du plénum d'eau puis la nettoyer.
- b) Retirer le plénum d'eau du dessus de la pompe et enlever tous les débris.
- c) Si des débris sont observés à l'intérieur de la tête de pompe :
  - a. Dévisser les quatre boulons qui fixent la tête de pompe au support de moteur (illustration 8).
    - i. Retirer les boulons qui maintiennent l'assemblage de la pompe.
    - ii. Désassembler la tête de pompe (trois parties) et enlever tous les débris.
    - iii. Remplacer l'impulseur si de l'usure est détectée, car l'usure de l'impulseur peut causer une défaillance prématurée du moteur. Consulter la section **Pièces de remplacement**.
  - b. Réinstaller les composants de la tête de pompe centrifuge au moyen des étapes décrites à l'étape 5 de la section **Installation – Trousse de conversion de tête de fontaine centrifuge**. Serrer tous les boulons à un couple de 50 po-lb.
- c. Inspecter visuellement l'impulseur pour repérer tout signe d'usure, au moins une fois par année.

## Étape 7 Replacer l'assemblage pompe/moteur dans le flotteur.

- a) Replacer l'assemblage pompe/moteur sur le flotteur.
- b) Faire descendre l'extrémité du moteur en premier au travers de l'orifice au centre du flotteur puis dans l'eau.
- c) Faire pivoter l'assemblage pompe/moteur pour que le cordon d'alimentation soit orienté avec la rainure pour cordon dans le flotteur (illustrations 2 et 3).
- d) Continuer de faire descendre jusqu'à ce que chaque tube de support repose dans sa cavité correspondante sur le flotteur.
- e) Acheminer le cordon d'alimentation dans la rainure du flotteur jusqu'à ce qu'il sorte du flotteur et dans l'eau.
- f) Fixer la corde d'amarrage à l'œillet du flotteur (illustrations 2 et 3).

## Étape 8 Rétablir l'alimentation électrique.

- a) S'assurer qu'aucune personne n'est dans l'eau.
- b) Retirer le dispositif de verrouillage à la source d'alimentation.
- c) Rétablir l'alimentation vers la pompe à partir du boîtier de fusibles.
- d) Brancher le cordon d'alimentation directement dans la prise conçue pour l'extérieur et mise à la terre.
- e) Confirmer que la pompe s'allume et commence à pomper de l'eau.
- f) Débrancher le cordon d'alimentation de l'alimentation électrique si la pompe doit être éteinte.

## Étape 9 Tester le fonctionnement du système.

- a) Tester le système en suivant les instructions présentées dans la section **Test de fonctionnement du système** de ce manuel.
- b) Le produit est maintenant prêt à fonctionner. Si le produit ne fonctionne pas correctement, consulter la section **Dépannage**.

## GESTION DES DÉBRIS

Certains étangs ou lacs présentent des défis pour la pompe, en raison de la présence de débris. Les débris peuvent entrer dans la zone d'hélice et réduire rapidement le rendement de la fontaine. Dans de telles situations, une barrière contre les débris peut être construite, afin de réduire l'obstruction de l'hélice; mais cela peut ne pas être suffisant.

Les matériaux qui peuvent être considérés dans la construction de barrières anti-débris après vente sont des configurations de type treillis de plastique ou de métal non corrodif. La barrière devrait être installée sur le périmètre du diamètre intérieur du flotteur (illustration 11). Pour faciliter la tâche, huit garnitures en laiton 1/4-20 ont été moulées sur le périmètre du diamètre intérieur du flotteur. Veuillez également noter qu'il est important de placer la barrière à l'écart du débit d'eau autour du moteur. Le fait de placer un matériau de barrière à l'encontre du débit d'eau autour du moteur affectera de manière importante la capacité du moteur à se refroidir, surtout lorsque ce matériau devient obstrué par des débris, et réduira ainsi la durée de vie de l'unité.

Veuillez noter qu'une fois installée une barrière anti-débris, celle-ci devra être fréquemment nettoyée pour retirer les débris et maintenir un bon débit d'eau autour du moteur. Si cela n'est pas effectué, le rendement sera réduit ou des dommages pourront se produire. De plus, ne pas oublier que la barrière n'est pas un dispositif de sécurité; les autres travailleurs doivent en être informés.

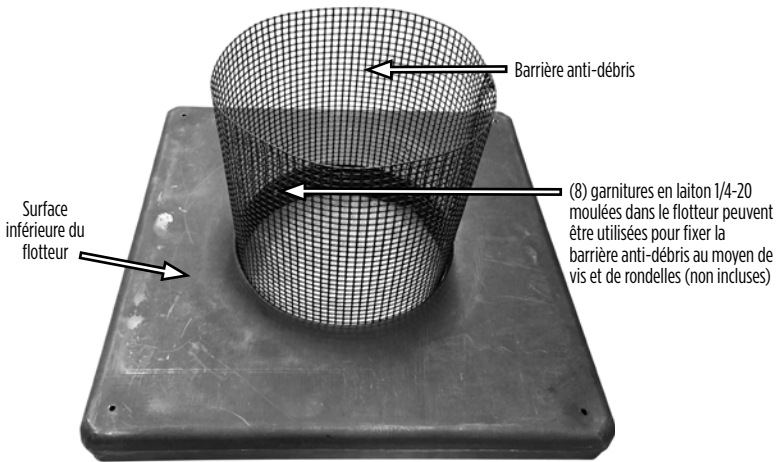


Illustration 11

## ENTREPOSAGE

Placer l'unité en position debout, et la protéger des températures sous  $-20^{\circ}\text{F}$  ( $-29^{\circ}\text{C}$ ) et au-dessus de  $120^{\circ}\text{F}$  ( $49^{\circ}\text{C}$ ). La méthode idéale d'entreposer l'unité est de la laisser dans l'étang ou le lac, tant que l'unité ne gèlera pas. L'emballage original peut être utilisé pour transporter et protéger l'unité pendant son entreposage.

# DÉPANNAGE

Si vous éprouvez des difficultés pendant l'utilisation de votre produit, veuillez appeler la ligne de soutien technique Little Giant au 888 956 0000. Le soutien téléphonique effectuera avec vous le dépannage, puis déterminera les mesures à prendre.

**⚠ AVERTISSEMENT RISQUE DE DÉCHARGE ÉLECTRIQUE** - S'assurer que l'unité est débranchée de la source d'alimentation avant de tenter d'installer ou de réparer l'appareil ou d'en retirer un composant. Si le raccordement à la source d'alimentation n'est pas visible, verrouiller en position « ouvert » et étiqueter pour éviter la mise sous tension par inadvertance.

PROBLÈME	CAUSES PROBABLES	MESURE CORRECTIVE
L'unité ne démarre pas	Tension d'alimentation incorrecte	Vérifier que la tension d'alimentation est à $\pm 10\%$ de la valeur nominale indiquée sur la plaque signalétique. Si la tension est incorrecte, communiquer avec un électricien agréé ou votre fournisseur d'électricité.
	Déclenchement d'un fusible, disjoncteur ou disjoncteur différentiel de fuite à la terre (DDFT)	Vérifier qu'un fusible de bonne taille/capacité nominale est utilisé et est en bon état. Remplacer le fusible avec un autre de la bonne taille/capacité nominale. Vérifier la présence de connexions lâches, sales ou corrodées, et remédier à la situation le cas échéant. Déterminer si un disjoncteur ou DDFT se sont déclenchés; le cas échéant, déterminer la cause, résoudre le problème puis réinitialiser le disjoncteur. Si le problème persiste, consulter un électricien agréé.
	Cordon d'alimentation endommagé	Inspecter le cordon d'alimentation et le fil de connexion du moteur pour confirmer la continuité. Déterminer s'il y a des coupures ou des dommages; le cas échéant, remplacer avec un nouveau cordon d'alimentation et un nouveau fil de connexion de moteur. Ne jamais tenter d'épisser ou de réparer un câble ou un fil de connexion de moteur avec du ruban.
	Moteur non fonctionnel	Il n'y a rien à réparer dans le moteur. Si le moteur ne fonctionne pas, le remplacer.
L'unité fonctionne, mais la surcharge sur la prise électrique se déclenche	Tension d'alimentation incorrecte	Vérifier que la tension d'alimentation est à $\pm 10\%$ de la valeur nominale indiquée sur la plaque signalétique. Si la tension est incorrecte, communiquer avec un électricien agréé ou votre fournisseur d'électricité.
	Chaleur ambiante excessive à proximité de la prise électrique	Les surcharges sont sensibles à la chaleur et peuvent se déclencher si la prise est soumise à une chaleur ambiante excessive. Mettre le boîtier de commande à l'ombre ou le déplacer loin de la source de chaleur.
	Cordon d'alimentation endommagé	Inspecter le cordon d'alimentation et le fil de connexion du moteur pour confirmer la continuité. Déterminer s'il y a des coupures ou des dommages. Le cas échéant, remplacer avec un nouveau cordon d'alimentation et un nouveau fil de connexion de moteur. Ne jamais tenter d'épisser ou de réparer un câble ou un fil de connexion de moteur avec du ruban.
Rendement réduit de l'aérateur ou de la fontaine	Tension d'alimentation incorrecte	Vérifier que la tension d'alimentation est à $\pm 10\%$ de la valeur nominale indiquée sur la plaque signalétique. Si la tension est incorrecte, communiquer avec un électricien agréé ou votre fournisseur d'électricité.
	Débris	Des débris peuvent obstruer l'aspiration et réduire la hauteur et le diamètre de la fontaine. Consulter la section Entretien pour des instructions sur le nettoyage.
	Hélice ou impulseur usés ou brisés	Installer une nouvelle trousse de mise au point d'aérateur ou un assemblage d'adaptateur de buse de fontaine décorative.
L'aérateur ou la fontaine démarrent et s'arrêtent de manière intermittente	Le moteur surchauffe ou est surchargé (ou les deux), ce qui déclenche la protection thermique intégrée	Inspecter, nettoyer et retirer toute accumulation sur le moteur. Enlever tout débris qui entrave le débit d'eau autour du moteur ou au travers de la tête de pompe.
		Vérifier que la tension d'alimentation est à $\pm 10\%$ de la valeur nominale indiquée sur la plaque signalétique. Si la tension sort de cette plage (limites supérieures ou inférieures), communiquer avec un électricien agréé ou votre fournisseur d'électricité.
		Vérifier que les connexions de câblage au boîtier de commande sont correctes et solidement installées.
		Le moteur est peut-être défectueux.



# PIÈCES DE REMPLACEMENT

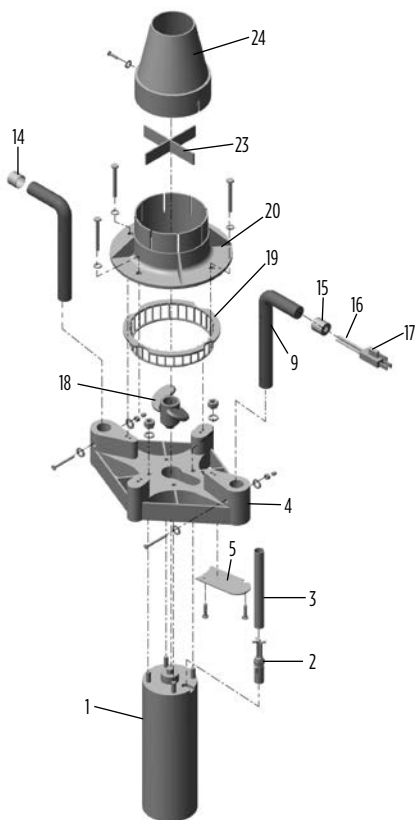
Pièces de remplacement – Unité d’hélice d’aération				
Model	Numéro de pièce	Description	Composants compris dans la trousse de remplacement	Illustration de référence
1/2 hp	517317	Aérateur, 1/2 HP, trousse de mise au point	18, 19, 23	12
	517329	Remplacement, ensemble de cordon de 100 pi (30,5 m) avec fil de connexion et tube de soutien	2, 3, 9, 15, 16, 17	12
	517330	Structure de remplacement d’entraînement de puissance, cordon de 100 pi (30,5 m)	1, 2, 3, 4, 5, 9, 14, 15, 16, 17	12
1 hp	517337	Aérateur, 1 HP, trousse de mise au point	18, 19, 23	12
	517339	Remplacement, ensemble de cordon de 150 pi (46 m) avec fil de connexion et tube de soutien	2, 3, 9, 15, 16, 17	12
	517340	Structure de remplacement d’entraînement de puissance, cordon de 150 pi (46 m)	1, 2, 3, 4, 5, 9, 14, 15, 16, 17	12
All	517326	Assemblage de remplacement de buse Harmony de fontaine/aérateur	19, 20, 23, 24	12
	517328	Assemblage de remplacement de support de moteur	4, 5	12
	517331	Remplacement, flotteur, 36 po (91,4 cm)	S.O.	Non illustré

Pièces de remplacement – Unité de fontaine centrifuge			
Numéro de pièce	Description	Composants compris dans la trousse de remplacement	Illustration de référence
517318	Pompe centrifuge de 1/2 HP, trousse de mise au point	18, 20, 21, 23	13
517338	Pompe centrifuge de 1 HP, trousse de mise au point	18, 20, 21, 23	13
517327	Assemblage de remplacement d’adaptateur de buse de pompe centrifuge	28, 29, 31	13

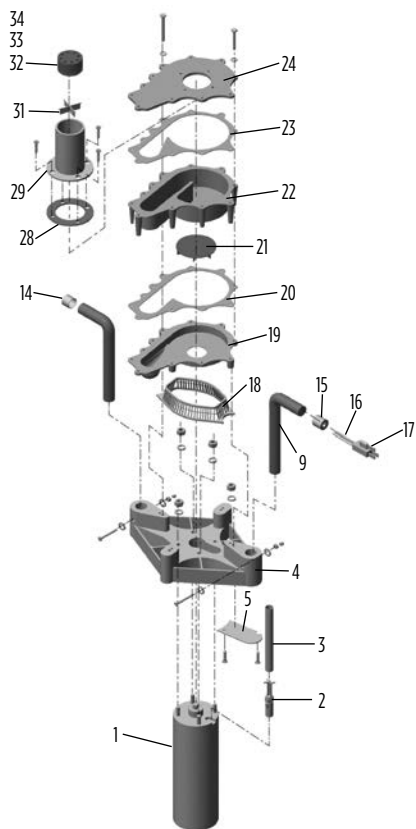
# PIÈCES ACCESSOIRES

Accessoires – Unité de fontaine centrifuge			
Numéro de pièce	Description	Composants compris dans la trousse de remplacement	Illustration de référence
517310	Tête de pompe de fontaine, 1/2 HP, trousse de conversion avec trois buses (sans moteur)	Tous les éléments dans l’illustration	14
517311	Tête de pompe de fontaine, 1 HP, trousse de conversion avec trois buses (sans moteur)	Tous les éléments dans l’illustration	14
517319	Fontaine décorative Sonata, assemblage de buse	Tous les éléments dans l’illustration	15
517320	Fontaine décorative Cantata, assemblage de buse	Tous les éléments dans l’illustration	15
517321	Fontaine décorative Concerto, assemblage de buse	Tous les éléments dans l’illustration	15
517322	Fontaine décorative Staccato, assemblage de buse	Tous les éléments dans l’illustration	15
517323	Fontaine décorative Crescendo, assemblage de buse	Tous les éléments dans l’illustration	15

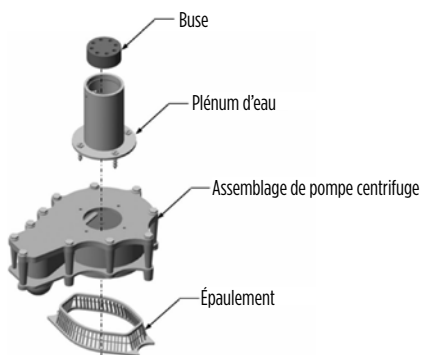
**REMARQUE :** Tous les éléments de remplacement et accessoires sont livrés au complet avec des instructions et toutes les fixations requises pour l’assemblage.



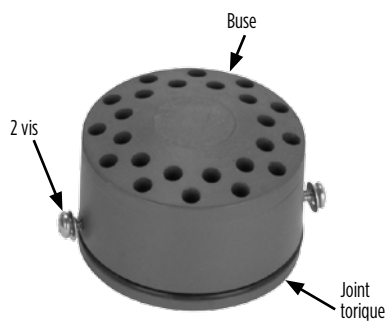
**Illustration 12**  
**Vue éclatée – Assemblage de pompe d'aération**



**Illustration 13**  
**Vue éclatée – Assemblage de pompe centrifuge**



**Illustration 14**  
**Vue éclatée – Trousse de conversion  
 de tête de pompe centrifuge**



**Illustration 15**  
**Fontaine décorative, assemblage de buse**  
 (Remarque : La buse Staccato est illustrée à des fins de référence.)

# GARANTIE LIMITÉE

## CETTE GARANTIE ÉNONCE LES SEULES OBLIGATIONS DE L'ENTREPRISE ET LES RECOURS EXCLUSIFS DE L'ACHETEUR EN CAS DE PRODUIT DÉFECTUEUX.

Franklin Electric Company inc. et ses filiales (ci-après « l'Entreprise ») garantissent que les produits accompagnés de cette garantie sont exempts de défauts quant aux matériaux ou à la main-d'œuvre par l'Entreprise qui existent au moment de la vente par l'Entreprise et qui se produisent ou qui existent pendant la période applicable de garantie. Tout distributeur, sous-distributeur, destinataire, utilisateur final ou consommateur admet qu'en acceptant la livraison des produits, le distributeur, le sous-distributeur, le destinataire, l'utilisateur final ou le consommateur accepte explicitement de se soumettre aux modalités de la garantie présentées ici.

### I. Période applicable de garantie

Les produits accompagnés de cette garantie seront couverts par cette garantie limitée pour une période de 24 mois à partir de la date originale d'achat par le consommateur. À défaut d'une preuve appropriée de date d'achat, la période de garantie de ce produit commencera à partir de la date de fabrication du produit.

### II. Instructions applicables à cette garantie limitée

1. Les consommateurs qui désirent soumettre une réclamation de garantie doivent retourner les produits accompagnés de cette garantie au point d'achat, pour étude de garantie.
2. En cas de découverte d'un défaut, toute blessure, tout dommage matériel et tout autre type de dommage qui en résultent, le cas échéant, seront mitigés de manière raisonnable et dans les limites possibles.
3. À sa discrétion, l'Entreprise peut inspecter les produits à ses installations ou sur le terrain; et après étude d'une réclamation de garantie, peut à sa discrétion réparer ou remplacer les pièces défectueuses. La livraison des pièces réparées ou remplacées sera prépayée par l'Entreprise.
4. Cette politique de garantie ne couvre pas de quelconques frais de main-d'œuvre ou d'expédition. L'Entreprise ne pourra pas être tenue responsable de tout coût ou frais associés au test, à la maintenance, à l'installation, à la réparation ou au retrait d'un produit, ou à tout outil ou équipement ou à toute fourniture nécessaires pour installer, réparer ou retirer un produit.

### III. Restrictions applicables à cette garantie limitée

#### **CETTE GARANTIE NE S'APPLIQUE À AUCUN DES ÉLÉMENTS SUIVANTS :**

1. Balais, impulseur ou came sur les modèles avec des moteurs à balai ou des impulseurs à aubes flexibles.
2. Tout produit qui n'est pas installé, appliqué, entretenu et utilisé conformément aux instructions publiées par l'Entreprise, aux codes en vigueur, aux règlements applicables et aux normes généralement acceptées par l'industrie.
3. Tout produit qui a été soumis à une mauvaise utilisation ou application, à la négligence, à une altération, à un accident, à un abus, à du vandalisme, à des actes de la nature (y compris la foudre), à des actes terroristes, à des actes de guerre, au feu, à une installation ou à un entreposage inappropriés, à une utilisation inappropriée, à une maintenance ou à une réparation inappropriées, à des dommages et à des accidents, ou au dépassement des maximums recommandés dans les instructions du produit.
4. Tout produit qui est utilisé avec tout accessoire, équipement ou composant ou toute pièce qui ne sont pas explicitement approuvés par l'Entreprise.
5. L'utilisation de pièces de rechange qui ne sont pas vendues par l'Entreprise, l'ajout non autorisé de produits de tiers à d'autres produits de l'Entreprise et l'altération non autorisée de produits de l'Entreprise.
6. Produits endommagés par l'usure normale, les services de maintenance normale et les pièces utilisées avec de tels services, ou toute autre condition au-delà du contrôle de l'Entreprise.
7. Tout produit qui a été utilisé à des fins autres que celles pour lesquelles il a été conçu et fabriqué.
8. Toute utilisation du produit alors que les instructions d'installation ou d'utilisation n'ont pas été respectées.
9. Produits branchés à une tension autre que celle indiquée sur la plaque signalétique.
10. Produits où la pompe a été exposée à l'un des éléments suivants : sable, gravier, ciment, graisse, plâtre, boue, goudron, hydrocarbures, dérivés d'hydrocarbure (huile, essence, solvants, etc.) ou autres substances abrasives ou corrosives.
11. Produits dont la pompe a pompé ou fait circuler autre chose que de l'eau douce à la température de la pièce.
12. Produits dont la pompe a fonctionné à vide (alimentation en fluide coupée).
13. Produits dont le boîtier scellé du moteur a été ouvert, ou qui ont été démontés d'une quelconque façon par le client.
14. Produits dont le cordon a été coupé à une longueur de moins de 3 pi (91 cm).

L'Entreprise se réserve le droit en tout temps, et de temps à autre, d'apporter des modifications à la conception ou des améliorations à ses produits, sans par ce fait même s'imposer de quelconques obligations d'effectuer des modifications ou améliorations correspondantes à ses produits déjà fabriqués ou vendus. L'Entreprise se réserve également le droit de substituer des pièces ou des composants de qualité similaire dans le cadre de tout service de garantie exigé par l'exécution de cette garantie limitée.

Cette garantie limitée écrite constitue la garantie complète autorisée et offerte par l'Entreprise. Il n'existe pas de garanties ou de déclarations autres que celles stipulées dans le présent document.

CETTE GARANTIE ET CES RECOURS REMPLACENT TOUTES LES AUTRES GARANTIES ET TOUS LES AUTRES RECOURS, Y COMPRIS SANS S'Y LIMITER, DES GARANTIES DE VALEUR MARCHANDE OU D'ADEQUATION A UNE UTILISATION PARTICULIERE, QUI SONT PAR LA PRESENTE EXPLICITEMENT DECLINEES ET EXCLUES. LA CORRECTION DE TOUTES LES NON-CONFORMITES, DE LA MANIERE ET POUR LA PERIODE DE TEMPS ENONCEES CI-DESSUS, CONSTITUERA L'EXECUTION COMPLETE DE TOUTES LES OBLIGATIONS DE L'ENTREPRISE ENVERS L'ACHETEUR, QUE CELA SOIT FONDE SUR UN CONTRAT, LA NEGLIGENCE OU AUTRE.

**L'ENTREPRISE NE POURRA PAS ETRE TENUE RESPONSABLE DES DOMMAGES ACCESSOIRES, INDIRECTS OU SPECIAUX TELS QUE, SANS S'Y LIMITER :**

**UN DOMMAGE OU LA PERTE DE TOUTE AUTRE PROPRIÉTÉ OU DE TOUT AUTRE ÉQUIPEMENT, LA PERTE DE JOUISSANCE DE L'ÉQUIPEMENT, DES INSTALLATIONS OU DU SERVICE, LA PERTE DE PROFITS OU DE VENTES, LE COÛT D'ACHATS OU DE BIENS DE REMPLACEMENT, LES RÉCLAMATIONS DE CLIENTS DE L'ACHETEUR, LE DÉFAUT D'AVERTIR OU DE FOURNIR DES INSTRUCTIONS, LA PERTE D'AUTRES PRODUITS OU LES COÛTS D'ASSAINISSEMENT ENVIRONNEMENTAL OU LA BAISSÉ DE LA VALEUR DE LA PROPRIÉTÉ. LES RECOURS DE L'ACHETEUR ENONCÉS DANS LA PRÉSENTE SONT EXCLUSIFS, ET LA RESPONSABILITÉ DE L'ENTREPRISE NE POURRA PAS, SAUF MENTION EXPLICITE DANS LA PRÉSENTE, DÉPASSER LE PRIX DES PRODUITS AUXQUELS CETTE RESPONSABILITÉ S'APPLIQUE. LES DOMMAGES ENONCÉS DANS CE PARAGRAPHE SERONT MITIGÉS DE MANIÈRE RAISONNABLE ET DANS LES LIMITES POSSIBLES. CE PARAGRAPHE S'APPLIQUERA ÉGALEMENT À TOUS LES DOMMAGES CAUSÉS PAR DES CONDITIONS ENONCÉES DANS LA SECTION III CI-DESSUS ET (1) LES DÉFAUTS DANS LES PROTOTYPES DE PRODUITS OU LES PROTOTYPES DE PIÈCES DE REMPLACEMENT QUI N'ONT PAS ÉTÉ MIS EN PRODUCTION, DISTRIBUÉS ET VENDUS PAR L'ENTREPRISE OU (2) LES DÉFAUTS QUI N'ONT PAS ÉTÉ DÉCOUVERTS AU MOMENT DE LA VENTE POUR DES RAISONS SCIENTIFIQUES OU TECHNOLOGIQUES.**

Cette garantie limitée vous confère des droits particuliers. Vous pourriez bénéficier d'autres droits, selon les lois et les règlements en vigueur. Lorsqu'une disposition de cette garantie est interdite par de telles lois, elle sera considérée comme nulle et non avenue, mais les autres dispositions de cette garantie demeureront pleinement applicables.

**NON-RESPONSABILITÉ :** Toute affirmation verbale à propos du produit effectuée par le vendeur, l'Entreprise, les représentants ou d'autres parties ne constitue pas de garanties, ne doit pas être considérée par l'utilisateur et ne fait pas partie du contrat de vente. Les seules obligations du vendeur et de l'Entreprise et les seuls recours de l'acheteur seront le remplacement ou la réparation du produit par l'Entreprise comme décrit ci-dessus. Avant l'utilisation, l'utilisateur devra déterminer l'adéquation du produit avec l'usage auquel il est destiné; et l'utilisateur assume toutes les responsabilités et tous les risques liés à ce choix.

---

Pour l'aide technique, entrez s'il vous plaît en contact . . . . 800.701.7894

[www.littlegiant.com](http://www.littlegiant.com)  
[lgnet@fele.com](mailto:lgnet@fele.com)

---



Form 998918  
Rév. 001  
09/17

**LittleGIANT®**

Franklin Electric Co., Inc.  
Oklahoma City, OK 73157-2010  
Phone: 1.800.701.7894  
Fax: 1.405.228.1561